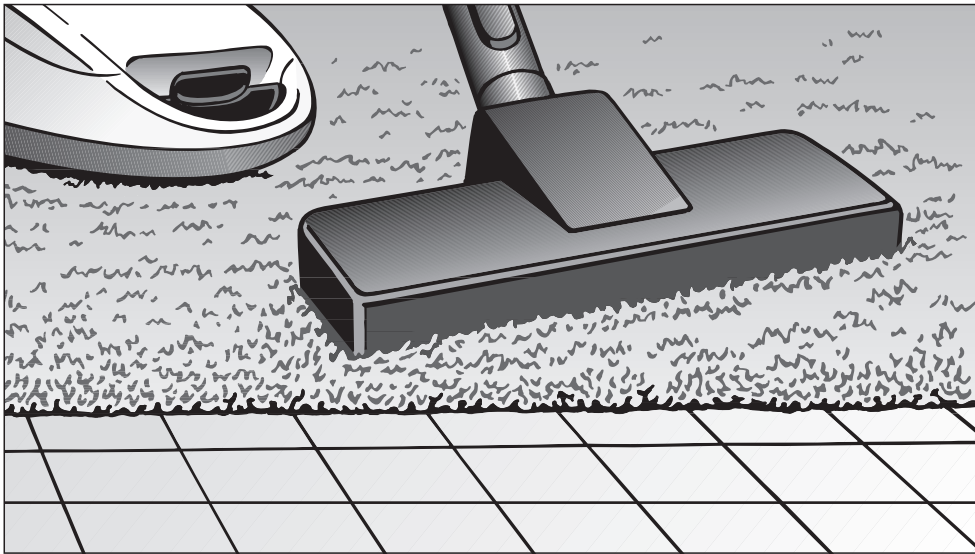


Miele



en Operating Instructions Canister Vacuum Cleaner

fr Mode d'emploi Aspirateur-chariot

HS15

M.-Nr. 12 905 200

en	5
fr	39

en - Contents

IMPORTANT SAFETY INSTRUCTIONS	5
Sustainability and environmental protection	11
Appliance description	12
Familiarization	14
Standard accessories	14
3D4U	14
How the FilterBag change indicator works.....	15
Commissioning	15
Attaching the suction hose	15
Removing the suction hose	15
Connecting the suction hose to the handle	15
Connecting the handle to the suction wand	16
Connecting the suction wand to the adjustable floorhead	16
Activating the timestrip filter change indicator via the Miele app (depending on the model)	16
Operation	17
Positioning the accessory holder	17
Using the dust brush integrated in the EcoComfort handle (depending on the model)	18
Using the dust brush integrated in the Comfort handle 2.0 (depending on the model)	18
Adjusting the telescopic suction wand (depending on the model)	19
Adjusting the floorhead	19
Vacuuming staircases	20
Unwinding the power cord	20
Rewinding the power cord	21
Switching on and off	21
Regulating the suction power	21
Interim suction power levels.....	22
Parking, transport and storage	22
Park system for pauses during vacuuming	22
Park system for storage	23
Cleaning and care	23
Optional accessories	24
Changing the FilterBag	24
Removing the FilterBag	25
Inserting the FilterBag	25
When to change the exhaust filter for the first time	26
Replacing the AirClean exhaust filter	26

en - Contents

Changing the AirClean Plus 50, Silence AirClean 50, Active AirClean 50, and HEPA AirClean 50 exhaust filters	27
Replacing one type of exhaust filter with another	28
Replacing the motor protection filter (if necessary)	29
Replacing the thread lifters	29
Cleaning the vacuum cleaner and accessories	30
Frequently asked questions	31
Customer Service	32
Contact in case of fault.....	32
Appliance warranty and product registration	32
Optional accessories	32
Optional accessories	32
LIMITED WARRANTY - VACUUM CLEANERS USA	34
Limited Warranty – Vacuum Cleaners Canada	35

en - IMPORTANT SAFETY INSTRUCTIONS

READ ALL INSTRUCTIONS BEFORE USING THIS APPLIANCE

This vacuum cleaner complies with all current local and national safety requirements. Improper use can lead to personal injury and damage to property.

Please read the operating instructions before using the vacuum cleaner for the first time. They contain important information on the safety, use, cleaning, and care of the vacuum cleaner. This prevents both personal injury and damage to the appliance.

Miele expressly and strongly advises that you read and follow the instructions in the “Commissioning” section as well as the IMPORTANT SAFETY INSTRUCTIONS.

Miele cannot be held liable for injury or damage caused by non-compliance with these instructions.

Keep these operating instructions in a safe place and pass them on to any future user.

Always disconnect the vacuum cleaner from the power supply when you have finished using it, before changing any accessories, and before performing cleaning, care, and troubleshooting. Remove the electrical plug from the socket.

Correct use

- ▶ This vacuum cleaner is intended for cleaning flooring in domestic households and similar residential environments. This vacuum cleaner is not suitable for use on construction sites.
- ▶ This vacuum cleaner can be used for all normal cleaning of carpets, rugs and hard flooring.
- ▶ This vacuum cleaner is not intended for outdoor use.

en - IMPORTANT SAFETY INSTRUCTIONS

- ▶ This vacuum cleaner is intended for use at altitudes of up to 13,000 ft (4000 m) above sea level.
- ▶ The vacuum cleaner must only be used to vacuum dry floor surfaces. Do not vacuum people or animals. Any other types of use, modifications, or alterations are not permitted.
- ▶ People with reduced physical, sensory, or mental capabilities, or lack of experience or knowledge, who are unable to use the vacuum cleaner safely, may only use the vacuum cleaner if they are supervised while using it or have been shown how to use it in a safe way and understand and recognize the consequences of incorrect operation.

Safety with children

- ▶ Danger of suffocation! Ensure that any plastic wrappings, bags, etc. are disposed of safely and kept out of the reach of children.
- ▶ Children must be kept away from the vacuum cleaner unless they are constantly supervised.
- ▶ Do not allow the vacuum cleaner to be used as a toy. Close attention is necessary when used near children.

WARNING

To reduce the risk of fire, electric shock or injury:

- ▶ Check the voltage rating of the vacuum cleaner before connecting the power cord to an electrical outlet. Your power source should correspond with the voltage rating plate located on the underside of the vacuum. Use only household AC outlets. Never use DC power sources. If you are not sure of your home's voltage supply, consult a qualified electrician. Connecting the vacuum cleaner to a higher voltage than indicated in these instructions may result in damage to the vacuum cleaner or injury.

en - IMPORTANT SAFETY INSTRUCTIONS

▶ To reduce the risk of electric shock, this appliance has a polarized plug (one blade is wider than the other.) This plug will fit in a polarized outlet only one way. If the plug does not fit fully in the outlet, reverse the plug. If it still does not fit, contact a qualified electrician to install the proper outlet. Do not alter the plug in any way.

Technical safety

▶ Check both the vacuum cleaner and all accessories supplied with it for any visible signs of damage before use. Do not use a damaged vacuum cleaner or damaged accessory.

▶ Compare the connection data on the data plate of the vacuum cleaner (voltage and frequency) with that of the electricity supply. This data must match exactly. Without modifications, the vacuum cleaner is suited for 50 Hz or 60 Hz.

▶ The electrical outlet must be rated at 15 A.

▶ Temporary or permanent operation on an autonomous power supply system or a power supply system that is not synchronized with the grid power supply (e.g., island networks, back-up systems) is possible. A prerequisite for operation is that the power supply system complies with national and local codes.

The function and operation of the protective measures provided in the domestic electrical installation and in this Miele product must also be maintained in isolated operation or in operation that is not synchronized with the grid power supply, or these measures must be replaced by equivalent measures in the installation.

▶ Repairs should be performed by an authorized service agent in accordance with national and local safety regulations. Unauthorized repairs could cause injury or machine damage. Otherwise the warranty may be void.

en - IMPORTANT SAFETY INSTRUCTIONS

- ▶ Do not use the vacuum cleaner if the power cord is damaged. If the power cord is damaged it should be replaced together with the cord reel. For safety reasons this must only be done by Miele Service or a Miele authorized service technician.
- ▶ Do not pull or carry the vacuum cleaner by the power cord, and be careful not to damage the cord when withdrawing the plug from the socket. Keep the cord away from sharp edges and do not let it get pinched, for example, under a door. Avoid running the vacuum cleaner over the cord. This could damage the cord, plug or socket. The appliance must not be used if any of these have suffered damage.
- ▶ Repairs should be carried out by a Miele-authorized service technician. Repairs and other work by unqualified persons can cause considerable danger to users.

Proper use

- ▶ Do not use the vacuum cleaner without the FilterBag, motor protection filter, and exhaust filter in place.
- ▶ It is not possible to close the dust compartment lid if the FilterBag is not inserted. Do not force it.
- ▶ Before closing the dust compartment lid, always make sure that the FilterBag has been inserted far enough and has clearly clicked into position.
- ▶ Do not vacuum up anything which has been burning or smoking, e.g., cigarettes, ashes or hot ash, whether glowing or apparently extinguished.
- ▶ Do not use the vacuum cleaner to vacuum toner dust. Toner, such as that used in printers and photocopiers, can conduct electricity.
- ▶ Do not use the vacuum cleaner to vacuum up any water, liquid or damp dirt. Wait until any freshly cleaned or shampooed rugs or carpets are completely dry before attempting to vacuum.

en - IMPORTANT SAFETY INSTRUCTIONS

▶ Do not vacuum up any flammable or combustible liquids or gases and do not vacuum in areas where such substances are stored.

▶ Do not vacuum at head height and do not let the suction get anywhere near a person's head.

Cleaning

▶ Do not immerse the vacuum cleaner or any accessories supplied with it in water. Clean the vacuum cleaner and accessories only with a dry or slightly damp cloth when disconnected from the power supply.

Accessories and parts

▶ It is not advisable to vacuum directly with the handle, i.e., without an accessory attached, as the rim could get damaged and you could hurt yourself on sharp edges.

▶ It is strongly advised to use FilterBags, filters, and original accessories bearing the Miele logo on the packaging. The manufacturer cannot otherwise guarantee the safety of the product.

▶ Miele may only guarantee the safety of the appliance when genuine Miele replacement parts are used. Faulty components should only be replaced with genuine Miele parts.

Transport

▶ The packaging material protects the vacuum cleaner from transport damage. We recommend you keep the packaging for transport purposes.

en - IMPORTANT SAFETY INSTRUCTIONS

California Proposition 65

WARNING

This product can expose you to chemicals mineral oils¹, Nickel (Metallic)¹, Diisononyl phthalate (DINP)¹ and Diisodecyl phthalate (DIDP)², which are known to the State of California to cause ¹cancer and ²birth defects or ²other reproductive harm.

For more information go to www.P65Warnings.ca.gov.

SAVE THESE INSTRUCTIONS

en - Sustainability and environmental protection

Disposing of packaging

The packaging material protects the vacuum cleaner from transport damage. We recommend you keep the packaging for transport purposes.

The packaging materials used are selected from materials which are environmentally friendly for disposal and can therefore be recycled. Recycling the packaging material reduces the use of raw materials in the manufacturing process and also reduces the amount of waste in landfill sites. Make sure the packaging is disposed of in the proper manner for your area.

Disposing of the FilterBags and filters

FilterBags and filters are made from environmentally friendly materials. You can dispose of the filters with normal household waste. You can also dispose of the FilterBag with normal household waste, providing it contains general household dust only.

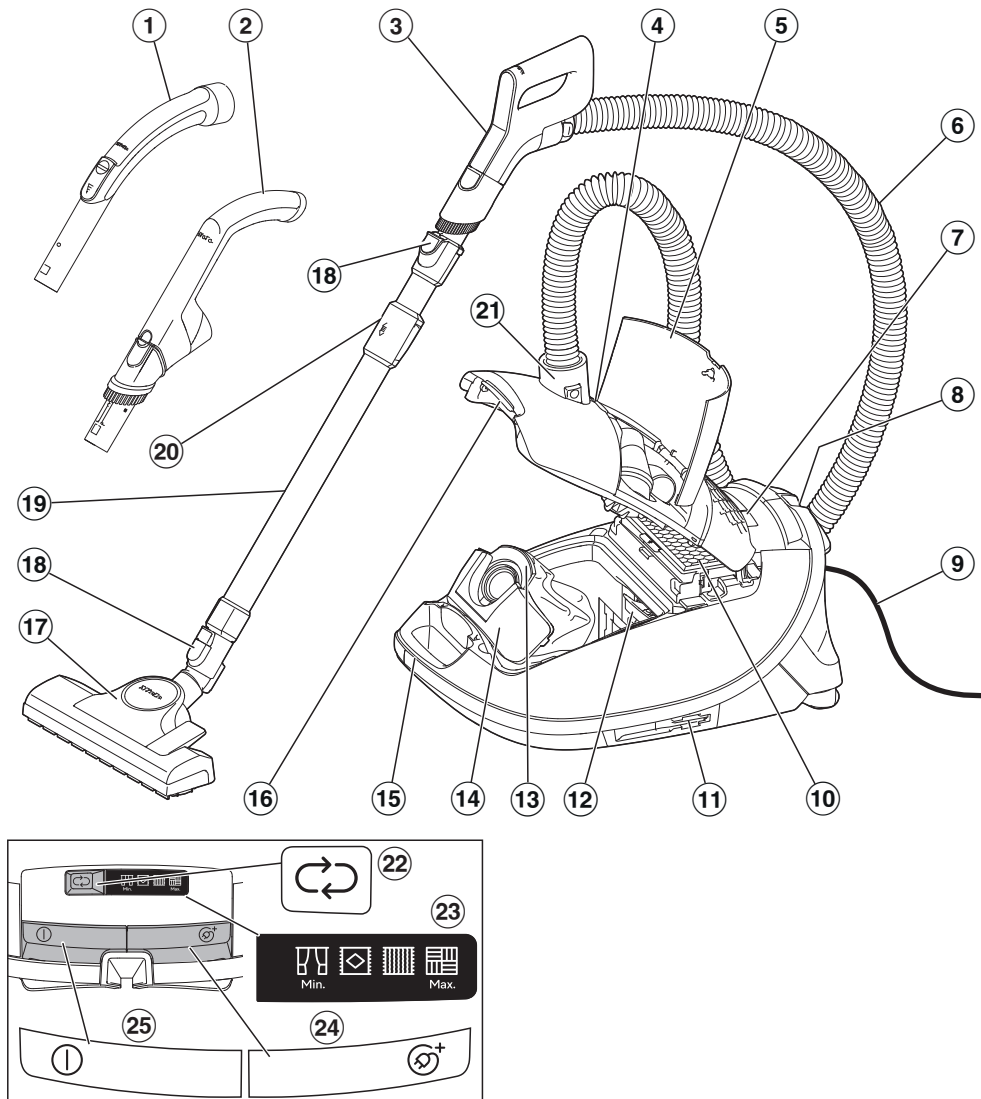
Disposal of your old appliance

Electrical and electronic appliances contain valuable materials. They also contain certain substances, compounds and components which were essential for the proper functioning and safe use of the equipment. Handling these materials improperly by disposing of them in your household waste can be harmful to your health and the environment. Therefore, please do not dispose of your old appliance with regular household waste and follow local regulations on proper disposal.



Consult with local authorities, dealers or Miele in order to dispose of and recycle electrical and electronic appliances. Miele assumes no responsibility for deleting any personal data left on the appliance being disposed. Please ensure that your old appliance is kept away from children until removal. Observe safety requirements for appliances that may tip over or pose an entrapment hazard.

en - Appliance description



en - Appliance description

- ① Handle*
- ② EcoComfort handle*
- ③ Comfort handle*
- ④ FilterBag change indicator
- ⑤ Accessories compartment
- ⑥ Suction hose
- ⑦ Display
- ⑧ Park system for pauses during vacuuming
- ⑨ Power cord
- ⑩ Original Miele exhaust filter*
- ⑪ Park system for storage (on both sides of the vacuum cleaner)
- ⑫ Motor protection filter
- ⑬ Original Miele FilterBag
- ⑭ Catch element
- ⑮ Handle
- ⑯ Dust compartment lid release button
- ⑰ Floorhead*
- ⑱ Release buttons
- ⑲ Telescopic suction wand*
- ⑳ Telescopic suction wand release mechanism
- ㉑ Hose connector
- ㉒ Suction power selector button ↻
- ㉓ Display for power levels
- ㉔ Footswitch for automatic cord rewind Ⓢ⁺
- ㉕ On/Off footswitch Ⓛ

* These special features depend on the model and may vary or may not be available on your vacuum cleaner.

Familiarization

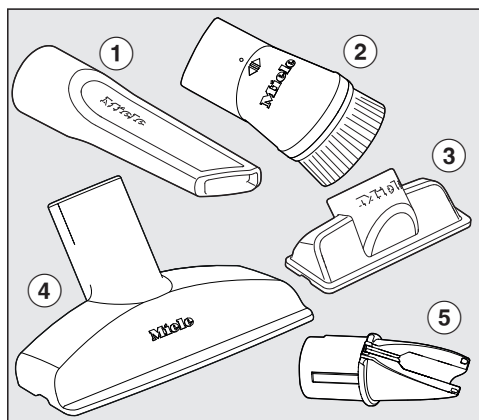
This vacuum cleaner can be used for daily cleaning of carpets, rugs, and durable hard flooring.

Miele offers a range of suitable accessories (see “Optional accessories”).

Certain models are supplied as standard with a turbobrush which is not illustrated.

The turbobrush is supplied with its own set of operating instructions.

Standard accessories



① **Crevice nozzle**

Accessory for cleaning in folds, crevices, or corners.

② **Dust brush**

Accessory for vacuuming moldings, carved or ornamental furniture.

The head can be swiveled to adjust the angle.

Dust brush on the handle (depending on the model)

Accessory for vacuuming scratch-resistant surfaces, e.g., for keyboards or vacuuming up crumbs.

③ **Upholstery nozzle (depending on the model)**

Accessory for cleaning upholstery, mattresses, and cushions.

④ **Upholstery nozzle, supplied loose (depending on the model)**

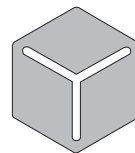
For cleaning upholstery, mattresses, cushions, curtains, etc.

⑤ **Accessory holder for upholstery nozzle (depending on the model)**

Accessory for storing the upholstery nozzle that is supplied loose

3D4U

With 3D4U, Miele offers free accessories to download for your 3D printer (www.miele.com, Service, 3D4U).



3 D 4 U

How the FilterBag change indicator works

The FilterBag change indicator is designed for normal household dust. This generally contains a mixture of dust, hair, threads, carpet lint, grit, etc.

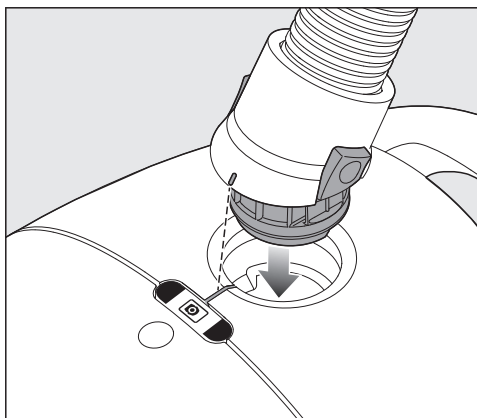
However, if the vacuum cleaner has been used to vacuum up fine dust, such as saw dust, sand, plaster dust, or flour, the pores of the FilterBag will become blocked very quickly.

The indicator will indicate that the FilterBag is “full” even when it is not. The FilterBag must be replaced if this is the case.

If, on the other hand, you vacuum up a significant amount of hair, carpet lint, etc., the FilterBag will be full to bursting before the indicator reacts.

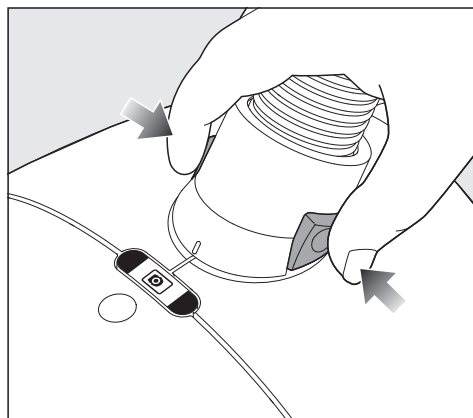
Commissioning

Attaching the suction hose



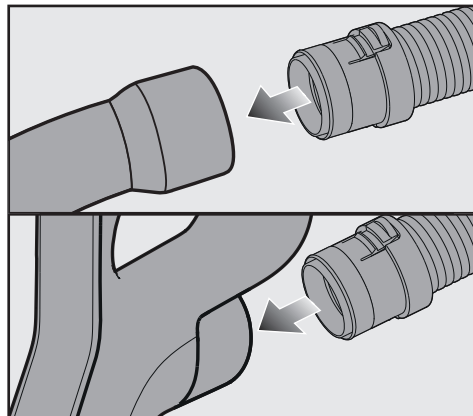
- Insert the hose connector into the suction opening on the vacuum cleaner until it clicks into position. To do this, line up the guides on the two pieces.

Removing the suction hose



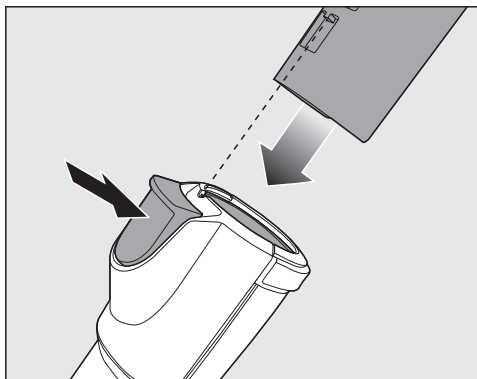
- Press the release buttons at the side of the hose connector, and remove the hose from the suction opening.

Connecting the suction hose to the handle



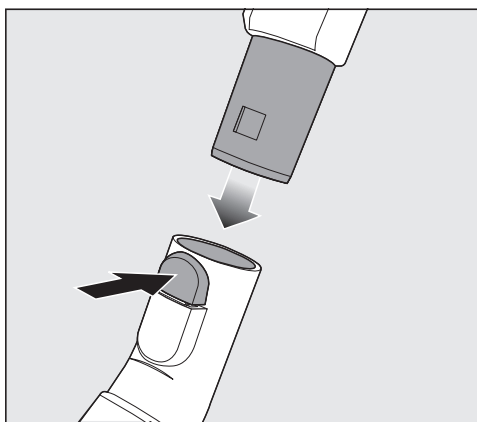
- Insert the suction hose connector into the handle until it clicks into position.

Connecting the handle to the suction wand



- Insert the handle into the suction wand until it clicks into position. To do this, line up the guides on the two pieces.
- To release the handle from the suction wand, press the release button and pull the handle out of the wand, twisting it slightly as you do so.

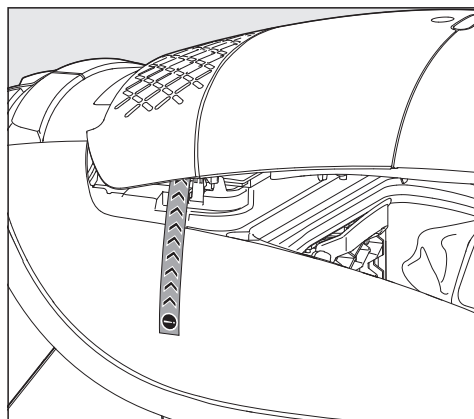
Connecting the suction wand to the adjustable floorhead



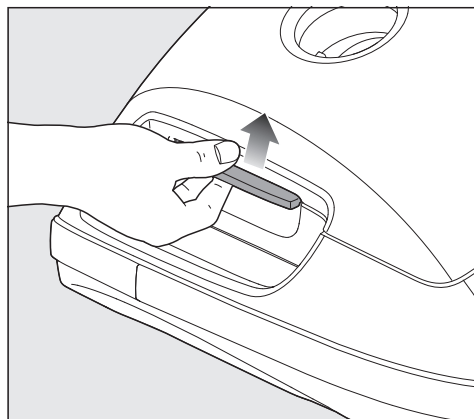
- Push the suction wand into the floorhead and turn it clockwise or counter-clockwise until it clicks into position.

- To separate the suction wand from the floorhead, press the release button and pull the suction wand away from the floorhead, twisting it slightly as you do so.

Activating the timestrip filter change indicator via the Miele app (depending on the model)




If an indicator strip is protruding from the dust compartment at the side of your vacuum cleaner, you can activate a timestrip filter change indicator in the Miele app. This will tell you in good time when the exhaust filter needs to be changed.



- Press the release button on the recessed grip and raise the dust compartment lid as far as it will go.
- Remove the indicator strip.
- Scan the QR code to download the Miele app (if you do not have it yet).
- Open the Miele app and set up a user account (if you do not yet have one).
- Add your vacuum cleaner to the Miele app.
- Go to the filter status information and follow the user navigation instructions in the Miele app.

On average, the exhaust filter needs to be changed after a service life of one year.

 **Damage due to contamination in the dust compartment.**

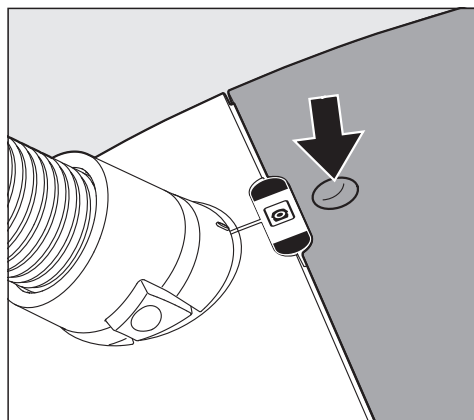
Large quantities of dust may get into the dust compartment and damage components if the FilterBag has not clicked into position.

Before closing the dust compartment lid, always make sure that the FilterBag has been inserted and the catch element is closed.

- Close the dust compartment lid securely, making sure it clicks into position. Take care not to trap the FilterBag when doing so.

Operation

Removing accessories

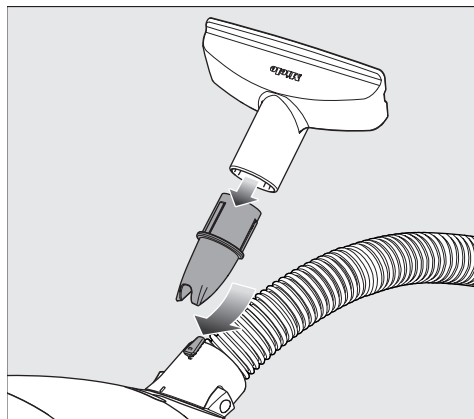


- Press the release button on the accessories compartment lid.

The accessories compartment will then open.

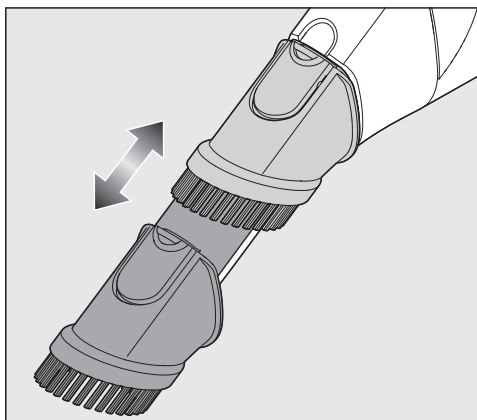
- Take out the accessory you require.
- Press down firmly on the accessories compartment lid to close it.

Positioning the accessory holder (depending on the model)



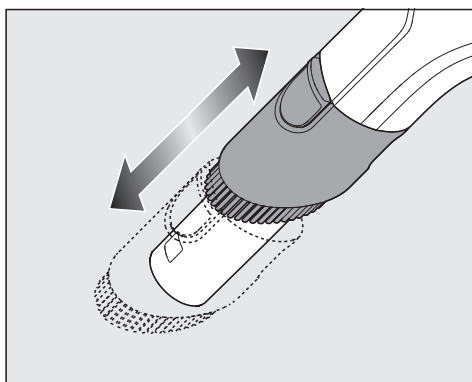
- Attach the accessory holder to the hose connector on the vacuum cleaner if necessary. Make sure it clicks into position.

Using the dust brush integrated in the EcoComfort handle (depending on the model)

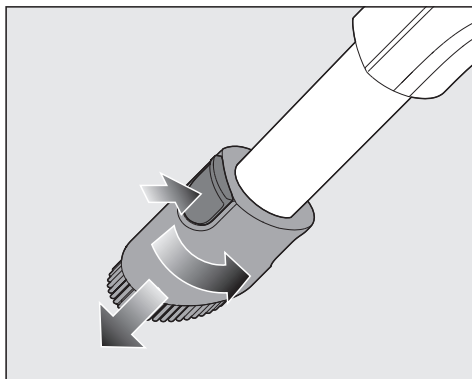


- Press the release button on the dust brush and push the brush out until it clearly engages in position.
- When you have finished dusting, press the release button and push the brush back into its original position until it clicks into place.

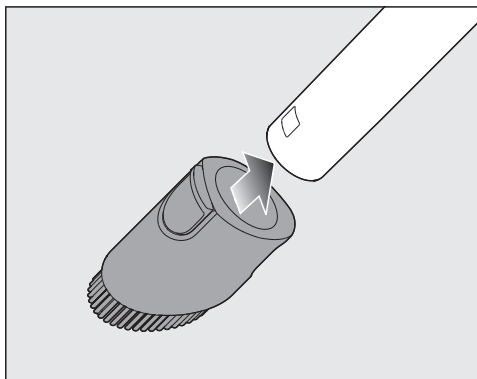
Using the dust brush integrated in the Comfort handle 2.0 (depending on the model)



- Press the release button on the dust brush and push the brush out until it clearly engages in position.



- Press the release button and turn the dust brush to the side.
- Push the dust brush down over the guide until it releases from the handle.



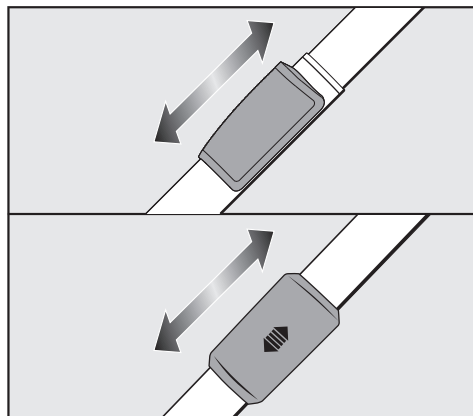
- Push the dust brush onto the suction wand until it clicks into place.

When you have finished dusting

- Press the release button and pull the dust brush off the suction wand.
- Push the dust brush back onto the Comfort handle 2.0 until it clicks into place.
- Push the dust brush into its original position so the handle can be pushed back into the suction wand.

Adjusting the telescopic suction wand (depending on the model)

One part of the telescopic suction wand is packed inside the other, and it can be adjusted to suit your height for comfortable vacuuming.

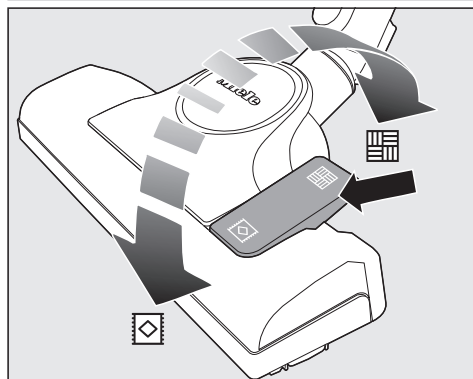


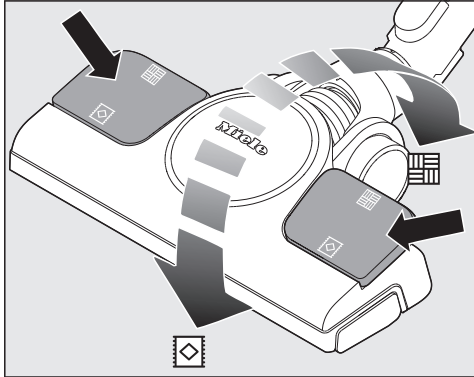
- Grasp the release mechanism and adjust the telescopic suction wand to the required length.

Adjusting the floorhead

Depending on the model, your vacuum cleaner will be equipped as standard with one of the floorheads illustrated.

Please observe the flooring manufacturer's cleaning and care instructions.





Clean hard flooring which is not susceptible to scratching, as well as flooring with gaps or deep crevices in it, with the brush protruding:


- Press the footswitch .

Vacuum carpets and rugs with the brush retracted:

- Press the footswitch .

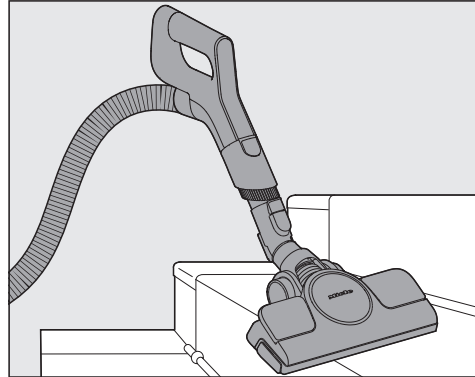
If the suction power of the floorhead seems too high, reduce it until the floorhead is easier to maneuver (see “Regulating the suction power”).

Vacuuming staircases

 Risk of injury caused by falling vacuum cleaner.

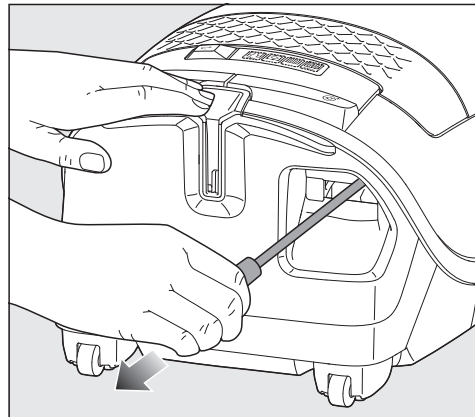
You or others may be injured if the vacuum cleaner should fall from the stairs.

When vacuuming stairs, it is best to start at the bottom of the stairs and move up.




The adjustable floorhead can also be used for vacuuming the stairs.

Unwinding the power cord



- Pull the power cord out to the required length.
- Insert the electrical plug into the socket.

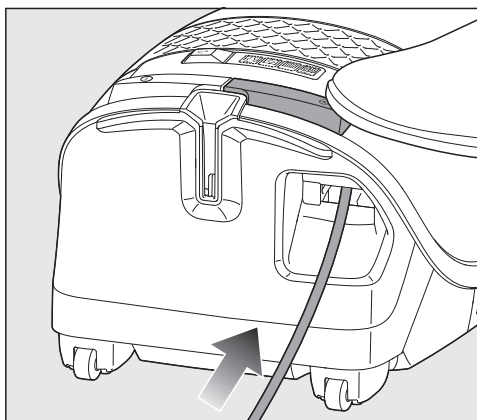
 Risk of damage due to overheating.

The power cord may overheat after a long period of use.

If vacuuming for longer than 30 minutes, the power cord must be pulled out all the way.

Rewinding the power cord

- Remove the electrical plug from the socket.



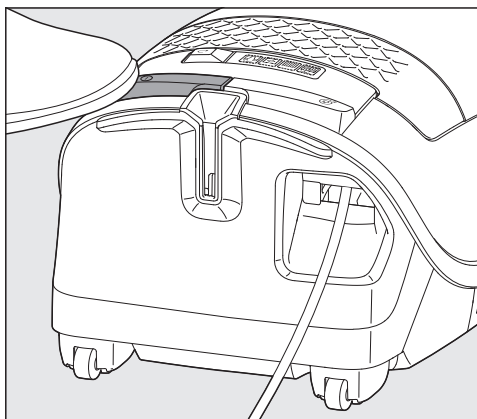
- Step briefly on the cord rewind footswitch.

The cord will then retract itself fully into the vacuum cleaner.

You can interrupt the cord rewind at any point.

- Give the cord a short pull while rewinding.

Switching on and off







- Press the On/Off footswitch ①.

Regulating the suction power

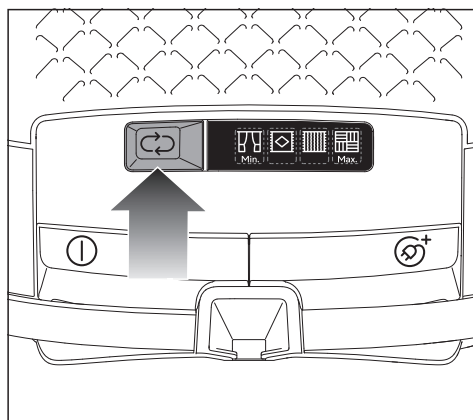
The suction power can be regulated to suit the type of flooring being cleaned. Reducing the suction power reduces the amount of effort required to maneuver the floorhead.


When using the adjustable floorhead, if the suction seems too high, reduce the suction power until the floorhead is easier to maneuver.

The vacuum cleaner has symbols on the controls which indicate the type of use the power levels suitable for.

-  Curtains, fabrics
-  Deep-pile carpets, rugs, and runners
-  Low-pile carpet and rugs
-  Hard flooring and heavily soiled carpets and rugs

When the vacuum cleaner is switched on, the highest power level will be selected automatically.



- Press the  button until the required power level has been reached.





The power level selected will light up yellow.

The next time the vacuum cleaner is used, it will switch on at the power level which was used previously.

Interim suction power levels

You can deviate from the preset power levels and customize the suction power of your vacuum cleaner to meet your individual requirements.

To do this, proceed as follows:

- Press the  footswitch until the minimum power level  is reached.
- Hold the  footswitch down until the symbol for the higher power level starts to flash.
- Then release the footswitch.
- Press the  footswitch until the required power level is reached.

Wait 30 seconds and do not touch the controls; the suction power interim setting will be saved to the next highest power level. The flashing will stop.

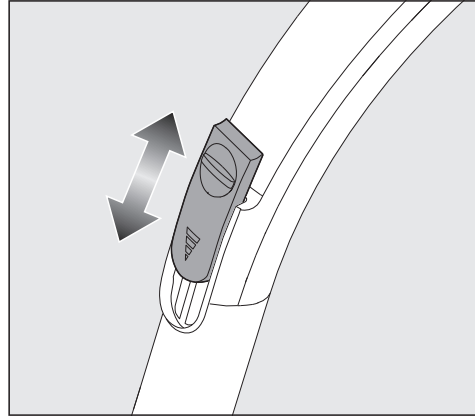
The next time the vacuum cleaner is used, it will switch on with the saved interim suction power level.

This setting will be deleted if you then select one of the standard power levels.

Opening the air inlet valve

(not on models with EcoComfort handle or Comfort handle 2.0)

It is easy to reduce the suction power for a short time, e.g., to prevent rugs or other textile flooring being sucked into the vacuum cleaner.




- Open the air inlet valve on the handle far enough to reduce the suction power.

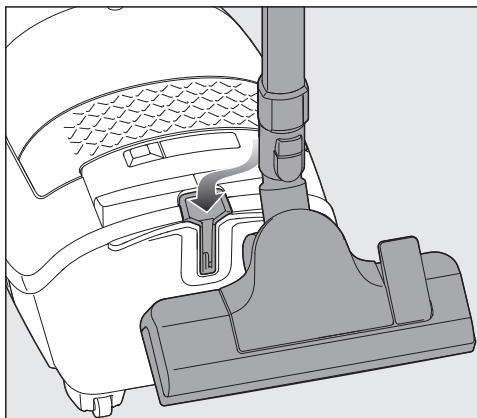
The floorhead will be easier to maneuver.

Parking, transport and storage

Park system for pauses during vacuuming

The park system allows you to conveniently park the suction wand and floorhead during pauses.

 Risk of injury caused by vacuum cleaner falling over.
Do not use the park system if the vacuum cleaner is on a sloping surface, e.g., a ramp.



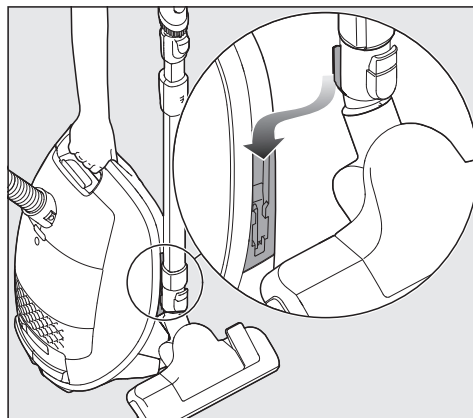
- Slot the floorhead into the park system on the vacuum cleaner.

Park system for storage

The park system allows you to park the suction wand and floorhead for transport or storage purposes.

⚠ Risk of electric shock from voltage.
 The voltage is applied to the appliance even if it is switched off.
 Always disconnect the vacuum cleaner from the power supply when you have finished using it. Remove the electrical plug from the socket.

- Stand the vacuum cleaner upright.
- Retract the telescopic suction wand fully.



- Slot the floorhead downward into one of the parking attachments.

This makes the vacuum cleaner easier to carry or store.

Cleaning and care

⚠ Risk of electric shock from voltage.
 The voltage is applied to the appliance even if it is switched off.
 Always switch the vacuum cleaner off before cleaning and caring for it. Remove the electrical plug from the socket.

The Miele filtration system consists of 3 accessories:

- Original Miele FilterBag (model **CO**)
- Original Miele exhaust filter
- Motor protection filter

The FilterBag and exhaust filter will need to be replaced from time to time to ensure that your vacuum cleaner performs efficiently.

We recommend using only genuine Miele accessories bearing the Miele logo on the packaging. Only these will guarantee the optimum performance of your vacuum cleaner and the best possible cleaning results.

FilterBags with the Miele logo on the packaging are not made from paper or paper-based materials, nor do they have a cardboard collar. This is why Miele FilterBags are particularly long-lasting and reliable.

Please note that faults and damage caused by use of accessories which do not bear the Miele logo on the packaging are not covered by the vacuum cleaner warranty.

Optional accessories

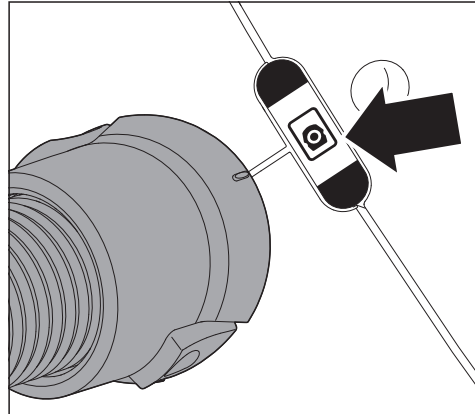
You can order genuine Miele accessories from the Miele online shop, Miele Service, or your Miele dealer.

You can identify genuine Miele accessories by the Miele logo on the packaging.

Every packet of original Miele FilterBags contains 4 FilterBags and one AirClean exhaust filter. Original Miele multipacks contain 16 FilterBags and 4 AirClean exhaust filters.

For information on purchasing genuine Miele exhaust filters, see the sales designations in “Optional accessories” – “Filters”.

Changing the FilterBag



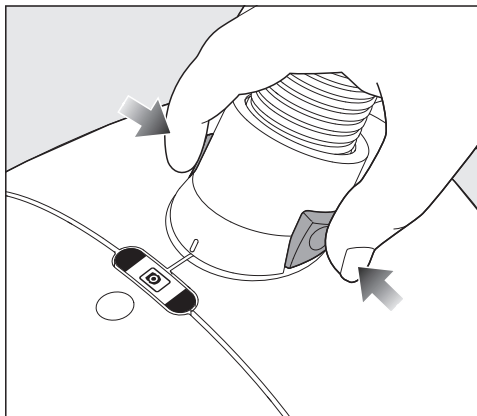
Change the FilterBag when the color marker in the FilterBag change indicator turns red.

Reduced suction power due to blocked pores in the FilterBag.
Do not attempt to re-use FilterBags.

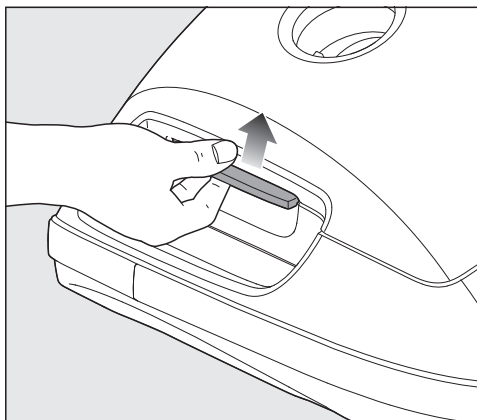
Checking the FilterBag change indicator

- Attach the adjustable floorhead or the floorbrush to the vacuum cleaner (included as standard depending on model).
- Switch the vacuum cleaner on and select the highest power setting.
- Lift the adjustable floorhead/floorbrush off the floor a little.

Removing the FilterBag

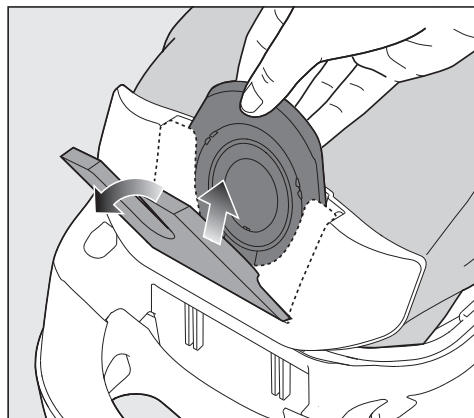


- Press the release buttons at the side of the hose connector and pull the hose connector out of the suction opening.



- Press the release button on the recessed grip and raise the dust compartment lid as far as it will go.

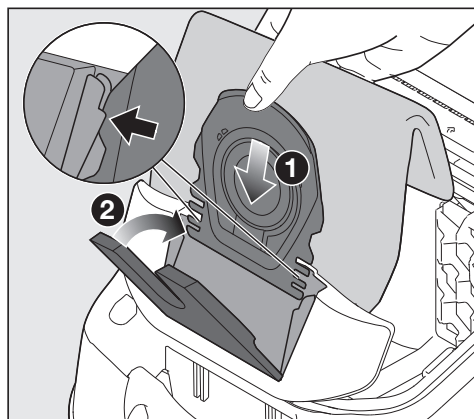
While the dust compartment lid is open, the brown catch element lifts up automatically so that the FilterBag can be removed.



- Pull the FilterBag out of the FilterBag holder by the grip.

The brown catch element prevents the dust compartment lid from closing when there is no FilterBag inserted. Do not force it.

Inserting the FilterBag

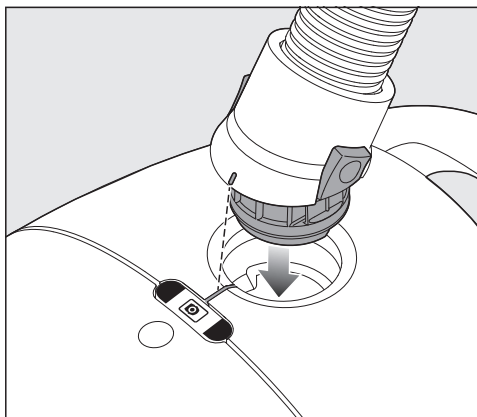


- Insert the new FilterBag into the raised FilterBag holder as far as it will go. Leave the FilterBag folded up when you take it out of the packet.

Make sure that the collar of the FilterBag is fully inserted into the guide on both sides.

The brown catch element closes and clicks into position.

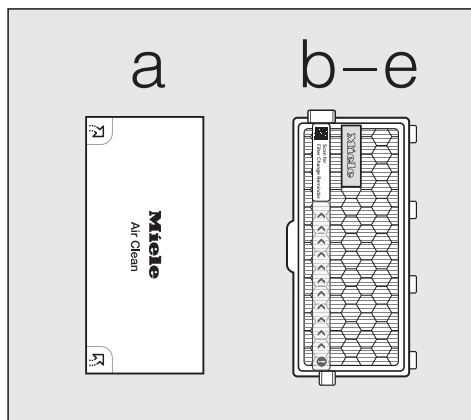
- Close the dust compartment lid securely, making sure it clicks into position. Take care not to trap the FilterBag when doing so.



- Insert the hose connector into the suction opening on the vacuum cleaner until it clicks into position. To do this, line up the guides on the two pieces.

When to change the exhaust filter for the first time

Depending on the model, your vacuum cleaner will be equipped as standard with one of the following exhaust filters:



a AirClean

Change this filter every time you start a new packet of Miele FilterBags. Every packet of original Miele FilterBags contains one AirClean exhaust filter. Multi-packs contain 4 AirClean filters.

- b AirClean Plus 50 (light blue)
- c Silence AirClean 50 (gray)
- d Active AirClean 50 (black)
- e HEPA AirClean 50 (white)

Change these exhaust filters after approx. 50 operating hours. This is equal to an average usage period of one year.

You can continue vacuuming after this point. However, the suction power will be reduced, as will the effectiveness of the filter if it is not changed in good time.

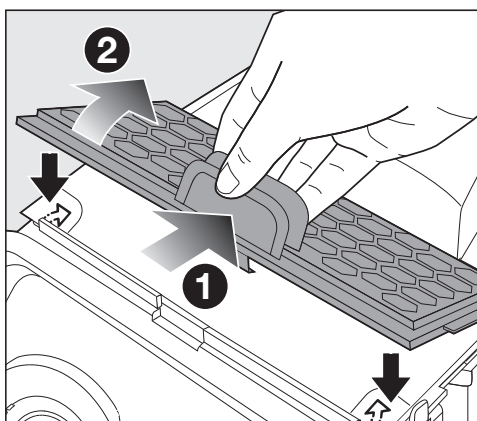
The Miele app can remind you when it is time to change the filter. To activate reminders, scan the QR code on the indicator strip and enter the filter start date in the Miele app.

Replacing the AirClean exhaust filter

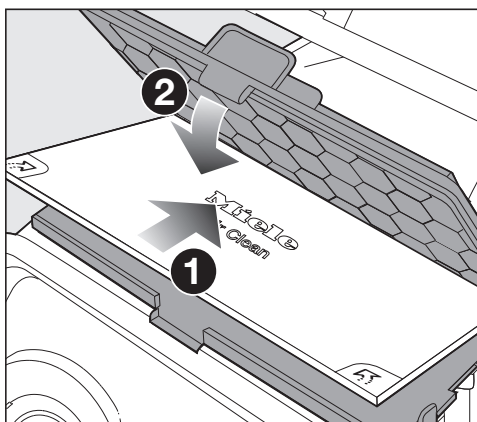
Do not use more than one exhaust filter at a time.

- Open the dust compartment lid.

If you wish to install an AirClean Plus 50, Silence AirClean 50, Active AirClean 50, or HEPA AirClean 50 exhaust filter, see the “Replacing one type of exhaust filter with another” section.



- Press the release catch on the filter grille and open the grille.
- Grasp the used AirClean exhaust filter by one of the clean, unsoiled sections and take it out.



- Insert a new AirClean exhaust filter, making sure it goes in properly.
- Close the filter grille.

⚠ Damage due to contamination in the dust compartment.

Large quantities of dust may get into the dust compartment and damage components if the FilterBag has not clicked into position.

Before closing the dust compartment lid, always make sure that the FilterBag has been inserted and the catch element is closed.

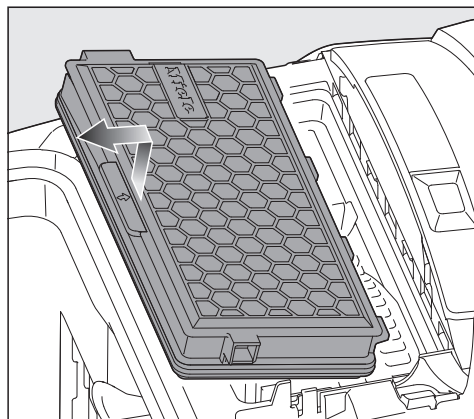
- Close the dust compartment lid securely, making sure it clicks into position. Take care not to trap the FilterBag when doing so.

Changing the AirClean Plus 50, Silence AirClean 50, Active AirClean 50, and HEPA AirClean 50 exhaust filters

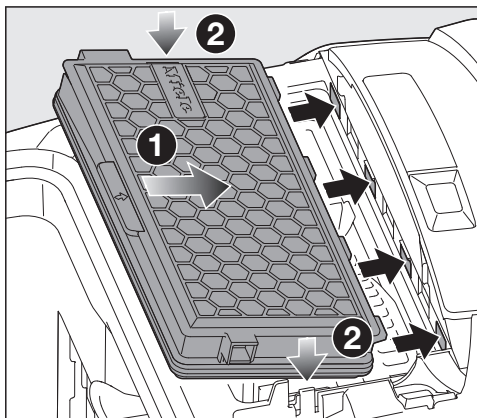
Do not use more than one exhaust filter at a time.

- Open the dust compartment lid.

If you wish to install an AirClean exhaust filter, see “Replacing one type of exhaust filter with another”.



- Lift the exhaust filter and remove it.



- Insert a new exhaust filter, making sure it goes in properly, then press it down into position.
- If you are using an exhaust filter of type **b**, **c**, **d**, or **e**, scan the QR code on the filter packaging. Then enter the start date of the filter in the Miele app.

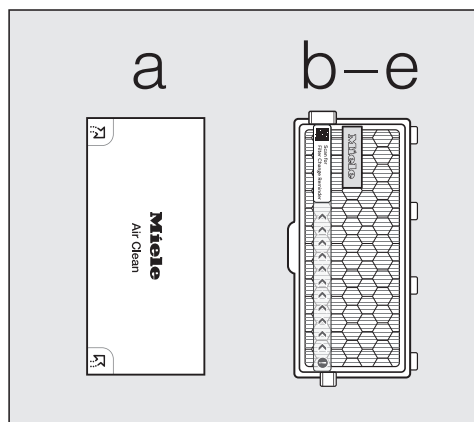
⚠ Damage due to contamination in the dust compartment.
 Large quantities of dust may get into the dust compartment and damage components if the FilterBag has not clicked into position.
 Before closing the dust compartment lid, always make sure that the FilterBag has been inserted and the catch element is closed.

- Close the dust compartment lid securely, making sure it clicks into position. Take care not to trap the FilterBag when doing so.

Replacing one type of exhaust filter with another

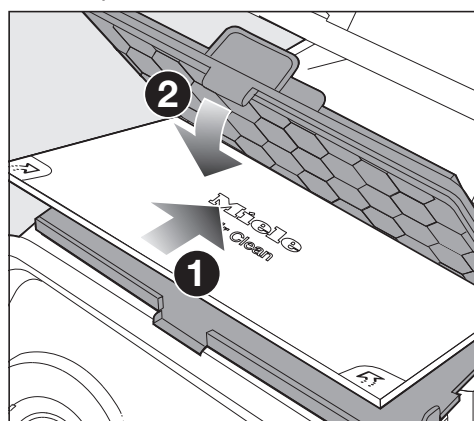
Do not use more than one exhaust filter at a time.

Depending on the model, your vacuum cleaner will be equipped as standard with one of the following exhaust filters:



- a AirClean
- b AirClean Plus 50 (light blue)
- c Silence AirClean 50 (gray)
- d Active AirClean 50 (black)
- e HEPA AirClean 50 (white)

1. If you wish to replace exhaust filter **a** with filter **b**, **c**, **d**, or **e**, it is essential that you remove the filter grille before you install the new exhaust filter.

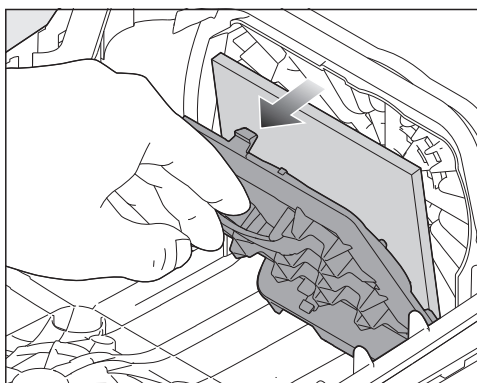


2. If you wish to replace exhaust filter **b**, **c**, **d**, or **e** with filter **a**, it is essential that you also install the filter grille*.

* Filter grille – see “Optional accessories”, “Filters”

Replacing the motor protection filter (if necessary)

- Open the dust compartment lid.
- Pull the FilterBag out by the grip on the holder.



- Lift up the filter frame until it clicks and remove the old motor protection filter.
- Replace with a new motor protection filter.
- Close the filter frame.
- Insert the FilterBag into the holder until the catch element is firmly closed.

Damage due to contamination in the dust compartment.

Large quantities of dust may get into the dust compartment and damage components if the FilterBag has not clicked into position.

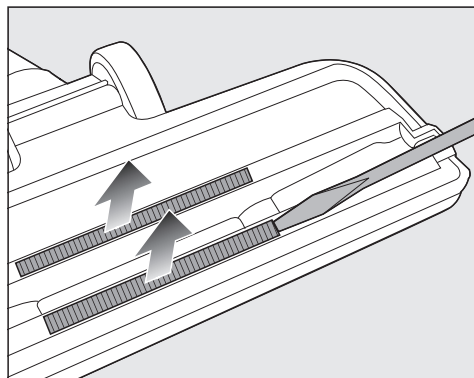
Before closing the dust compartment lid, always make sure that the FilterBag has been inserted and the catch element is closed.

- Close the dust compartment lid securely, making sure it clicks into position. Take care not to trap the FilterBag when doing so.

Replacement parts are available from the Miele online shop or through Miele Service.


Replacing the thread lifters


The thread lifters on the suction inlet to the floorhead can be replaced. Replace the thread lifters if the pile has worn down.




- Lift the thread lifters out of the slots. To do so use a suitable tool, e.g., a flat-head screwdriver.
- Install new thread lifters.

Cleaning the vacuum cleaner and accessories

 Risk of electric shock from voltage.
The voltage is applied to the appliance even if it is switched off.
Before cleaning, unplug the appliance from the electrical socket.

 Risk of electric shock from voltage.
If moisture gets into the vacuum cleaner, there is a risk of electric shock.
Do not let the vacuum cleaner get wet.

The vacuum cleaner and all plastic accessories can be cleaned with a commercially available cleaner suitable for plastic.

 Damage due to unsuitable cleaning agents.
All surfaces are susceptible to scratching. Contact with unsuitable cleaning agents can alter or discolor the external surfaces.
Do not use abrasive cleaning agents, glass cleaning agents, all-purpose cleaners, or oil-based care products.

Cleaning the dust compartment


The dust compartment can, if necessary, be cleaned using a dry duster, brush or, if available, a second vacuum cleaner to vacuum the dust out.

Frequently asked questions

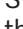
Many malfunctions and faults can be easily remedied. You can save time and money in many cases, as you do not need to contact Miele Service.

More information to help you rectify faults yourself can be found at <https://www.mieleusa.com/support/customer-assistance>.



 Risk of electric shock from voltage.

The supply voltage is applied to the appliance even if it is switched off. Before dealing with any problems, unplug the appliance from the electrical socket.

Problem	Possible cause and solution
<p>The vacuum cleaner turns off automatically.</p>	<p>A temperature limiter switches the vacuum cleaner off automatically if it gets too hot. This can occur if, for instance, large objects block the suction wand or when the FilterBag is full or contains particles of fine dust. A heavily soiled motor protection filter or exhaust filter can also be the cause of overheating.</p> <ul style="list-style-type: none"> ■ Switch the vacuum cleaner off immediately using the On/Off footswitch . Unplug the vacuum cleaner from the electrical socket. <p>After removing the cause of the fault, wait for approximately 20–30 minutes to allow the vacuum cleaner to cool down. It can then be turned on again.</p>

Customer Service

Information to help you rectify faults yourself and about Miele spare parts can be found at www.miele.com/service.

Contact in case of fault

In the event of a fault which you cannot remedy yourself, please contact Miele Service.

Contact information for Miele Service can be found at the end of this document.

Appliance warranty and product registration

You can register your product and/or view the manufacturer's warranty terms and conditions for Miele appliances and vacuum cleaners at www.mieleusa.com.

Optional accessories

Follow the flooring manufacturer's cleaning and care instructions.

We recommend using only genuine Miele accessories bearing the Miele logo on the packaging. Only these will guarantee the optimum performance of your vacuum cleaner and the best possible cleaning results.

Please note that faults and damage caused by use of accessories which do not bear the Miele logo on the packaging are not covered by the vacuum cleaner warranty.

Optional accessories

You can order genuine Miele accessories from the Miele online shop.

You can identify genuine Miele accessories by the Miele logo on the packaging.

Certain models are supplied as standard with one or more of the following accessories.

Floor tools / Brushes

AllFloor (SBD AF) floorhead

Flat floorhead for cleaning underneath very low furniture. It is also quiet, light, and stands out due to its very good pick-up of coarse dirt.

TurboTeQ Turbobrush (STB 305-3)

This brush is ideal for cleaning short-pile carpet.

Parquet Twister floorbrush with swiveling head (SBB 300-3)

With natural bristle for vacuuming smooth hard floors and small gaps.

Floorbrush Parquet Twister XL with swiveling head (SBB 400-3)

With natural bristles for quickly vacuuming smooth hard floors and small gaps.

Other accessories**Handheld Turbobrush Mini (STB 101)**

For vacuuming upholstery, mattresses or car seats, etc.

Universal brush (SUB 20)

For dusting books, shelves, etc.

Radiator brush (SHB 30)

For dusting radiators, narrow shelves and crevices.

Mattress tool (SMD 10)

For vacuuming upholstery, mattresses, cushions, curtains, covers, etc.

Crevice nozzle, 12" (300 mm) (SFD 10)

Extra long crevice nozzle for cleaning in folds, crevices and corners.

Crevice nozzle, 22" (560 mm) (SFD 20)

Flexible crevice nozzle for vacuuming hard to reach places.

XL upholstery nozzle (SPD 20)

Wide upholstery nozzle for cleaning upholstery, mattresses, and cushions.

2-in-1 upholstery and crevice nozzle (SPFD 20)

Combined upholstery and crevice nozzle for quick and thorough cleaning without the need to change nozzles.

Comfort handle with lighting (SGC 20)

Lights up the area being vacuumed.

Filters**AirClean Plus 50 exhaust filter (SF-AP 50)**

Effective filtration for particularly clean room air.

Silence AirClean 50 exhaust filter (SF-SA 50)

For a significant reduction in noise while vacuuming.

Active AirClean 50 exhaust filter (SF-AA 50)

For a significant reduction of unpleasant odors. Ideal for households with pets or smokers.

HEPA AirClean 50 exhaust filter (SF-HA 50)

Effectively filters fine dust and allergens. Ideal for people allergic to house dust.

Filter grille

This is required if you wish to replace an AirClean Plus 50, Silence AirClean 50, Active AirClean 50, or HEPA AirClean 50 exhaust filter with an AirClean exhaust filter.

en - LIMITED WARRANTY - VACUUM CLEANERS USA

What This Warranty Covers and For What Period The Coverage Extends

Miele, Inc. (hereinafter "Miele") warrants to the original purchaser of this product, living in the United States of America, who purchased their vacuum from a Miele Authorized Dealer:

- a. That this product, including all of its Miele authorized parts is free of defects in material and workmanship.
- b. That this product, if found to be defective within the stated warranty period, will be repaired free of charge to the consumer (both parts and labor) by an authorized Miele service agent.
- c. The warranty period for vacuum cleaners, with the exception of "HomeCare" sub-models, is as follows:

Vacuum Series	Term
Classic Series Canister Vacuums	1 year
Swing Series H1 Vacuums	1 year
Compact Series Canister Vacuums	2 years
Scout Robotic Vacuums	2 years
Triflex HX1 / HX2 Series Cordless Vacuums	2 years
Complete Series Canister Vacuums	3 years
Dynamic Series Upright Vacuums	3 years
Blizzard Bagless Series Canister Vacuums	3 years
Boost CX1 Bagless Series Canister Vacuums	3 years

- d. The warranty period for all "HomeCare" sub-model types is 5 (five) full years from the date of purchase, while the Triflex HX1 HomeCare is 3 (three) full years from the date of purchase.
- e. This warranty only applies while the product remains within the United States, and is null and void in any other US territories, possessions, or foreign countries.

Commercial Use

Vacuum cleaners other than the Scout RX1 and Scout RX2 used for commercial purposes will be warranted for a period of six (6) months from the date of purchase. There is no warranty for the Scout RX1 or Scout RX2 used for commercial purposes. Thereafter this Limited Warranty shall be null and void.

What is not covered by this Warranty

This warranty does not cover damage or defects caused by or resulting from repairs, service or alterations to the product or any of its parts or accessories which have been performed by service centers or repairmen not authorized by Miele, or damage or defects caused by negligence, accident, abuse, misuse, improper or abnormal usage or maintenance of the product, its parts or accessories, or damages caused by the use or installation of non-genuine Miele parts. Ordinary wear and tear or cosmetic damage (scuffs, scratches, gouges, dents, etc.) shall not be considered a defect in materials or workmanship.

Exclusion of Other Warranties

Except for the limited warranty provided herein, Miele disclaims any and all other express warranties with respect to the product. Any warranty of merchantability or fitness for a particular purpose is limited in its duration to the term of the limited warranty provided herein.

Some states do not allow limitations on how long an implied warranty lasts, so the above limitation may not apply to you.

Some states do not allow limitations on how long an implied warranty lasts, so the above limitation may not apply to you.

Limitation of Liability for Special, Incidental or Consequential Damages

Miele will assume no liability, or other obligation with respect to any personal injury or property damage resulting from the use of a vacuum cleaner, or its accessories, replacement parts, etc., which has not been purchased from, or serviced by an Authorized Miele Dealer. Any purchaser who obtains a vacuum cleaner, accessories, replacement parts, etc., from someone other than an Authorized Miele dealer proceeds at their own risk.

Miele specifically disclaims any and all liability, whether directly or by way of indemnity, for special incidental, consequential or other damages, whether based on breach of contract, tort, strict or product liability, or any other legal theory.

Some states do not allow the exclusion or limitation of incidental or consequential damages, so the above limitation may not apply to you.

Special State Laws

This Limited Warranty gives you specific legal rights; you may have other rights, which vary, from state to state.

Service

For service under this Limited Warranty, or to find an Authorized Miele Dealer in your area, please visit the "Find a Miele Partner Near You" section at mieleusa.com.

Effective Date: August 1, 2023

©2020 Miele, Inc.

en - Limited Warranty – Vacuum Cleaners Canada

The following warranty conditions are valid in Canada only.

Miele Limited, (hereinafter "Miele") warrants to the original purchaser that this product, including all of its Miele authorized parts and accessories, is free of defects in material and workmanship.

1. Duration of Warranty

This warranty is valid during the following time periods:

- a) Domestic appliances in normal, non-commercial, household use:
 - One (1) year. Parts and labour.
 - RemoteVision® Modules: Please refer to Miele's "Limited Warranty - RemoteVision® Module - Canada".
 - Additional 5 and 10 Year Limited Warranty on Sealed Refrigeration Systems: The Warranty for the Sealed Refrigeration System includes all original compressors, condensers, evaporators, driers, the original refrigerant and the original connecting tubing.
 - Five (5) Year Warranty - If a claim regarding a defect in material or workmanship relating to the Sealed Refrigeration Systems used in Miele Refrigerators, Wine Coolers, and Freezers is received by Miele within five (5) years from the date of purchase, then any warranted failures of the Sealed Refrigeration System shall be repaired at no cost to you (including parts & labour).
 - Ten (10) Year Warranty - If a claim of such a defect is received at any time during the period starting from the sixth (6th) year and ending on the last day of the tenth (10th) year after the date of purchase, this Warranty shall cover the replacement or repair of all parts of the Sealed Refrigeration System covered by the Warranty that is found to be defective in material or workmanship but shall not include labour. Upon request, such labour shall be provided by Miele and at the customary charge to the Miele Customer.
- b) Domestic appliances in commercial use:
 - Six (6) months, for parts and labour.
- c) Vacuums in normal, non-commercial, household use:
 - One (1) year, upright, cordless stick and canister vacuums. Parts and labour.
 - Two (2) years, motor for S170 - S189 upright units. Parts and labour.
 - Two (2) years, Varta or Huizhou Blueway battery on cordless stick vacuums. Parts and labour.
 - Seven (7) years, Vortex™ motor for canister, cordless stick and upright units, except S170 - S189 upright units for which the motor warranty is two (2) years. Parts and labour.
- d) Vacuums in commercial use:
 - Six (6) months, for products used commercially. Parts and labour.
 - One (1) year for motor for canister and upright models. Parts and labour.
- e) Commercial appliances:
 - One (1) year, parts and labour within Miele Direct Service Area (MDSA).
 - One (1) year, parts only outside Miele Direct Service Area (MDSA).Contact Miele Professional to determine if you are within a MDSA.
- f) Commercial appliances in Domestic use:
 - Two (2) years, Little Giant Washer, Little Giant Dryer, Profi Dishwashers. Parts and labour.

2. Commencement Date

Warranty coverage begins on the day of delivery. If a product under warranty is replaced by Miele, the original warranty period is not extended but continues from the date of original delivery.

3. Warranty Preconditions

3.1 Miele assumes warranty responsibility subject to the following preconditions having been fulfilled:

- a) You are the original purchaser and did not obtain the product through resale;
- b) The product was purchased from Miele or an authorized Miele dealer in Canada;
- c) If applicable, the product was installed by a person designated by Miele as qualified to do so and in accordance with applicable installation instructions; and
- d) The product is located in Canada.

3.2 Warranty claims will only be honoured provided that any failure to conform to this warranty is reported in writing and the product is returned together with proof of purchase date to Miele or to a Miele authorized dealer, as applicable, within the time period stated in Section 1 above.

4. Extent of Warranty

In the event of defect in material or workmanship occurring within the time period stated in I. above, Miele will repair, or at its option replace, within a reasonable period of time, the product or any Miele authorized part or accessory discovered to be defective in workmanship or materials. Defective products and parts become the property of Miele upon replacement.

en - Limited Warranty – Vacuum Cleaners Canada

5. Exclusions

Warranty coverage excludes any product, including its parts and accessories, that:

- a) was not installed according to Miele's installation instruction;
- b) was damaged by negligence, accident, abuse, misuse, improper or abnormal usage, maintenance or transportation;
- c) contains non-authentic Miele accessories or replacement parts, including filters, dust bags and other non-Miele products; and
- d) was repaired, serviced, altered or modified by someone other than a Miele authorized service centre or technician.

6. Ordinary Wear and Tear

Ordinary wear and tear shall not be considered a defect in workmanship or materials.

7. Limitation of Liability

7.1 Unless you purchase extended warranty coverage from Miele prior to the expiry of this warranty, this warranty is the sole warranty offered by Miele to you. Miele disclaims any and all other warranties to the fullest extent permitted by law, whether express or implied, including any warranty of merchantability or fitness for a particular except as provided herein.

7.2 Your sole remedies under this warranty are those described herein. Unless otherwise stated, Miele's liability for actual damage from any cause whatsoever is limited to the amount paid by you for the product. Miele disclaims any and all liability and consequential or other damage whether based on breach of contract, tort (including negligence), product liability or any other legal theory. In no event will either party be responsible for any lost profits or savings, incidental damage or other economic damages.

8. Special Provincial Laws

This warranty gives the purchaser specific legal rights. The purchaser may also have other rights which may vary from Province to Province in Canada. Some provinces do not allow limitation or exclusion of implied warranties, therefore, certain limitations and exclusions may not apply.

9. Customer Care

9.1 For service under this warranty or for further information please contact Miele at:

Miele Limited	Toll free: 1-800-565-6435
161 Four Valley Drive	E-mail: customercare@miele.ca
Vaughan, Ontario	
Canada L4K 4V8	

9.2 Service may require that the appliance be removed and taken, by authorized Miele personnel, to an authorized Miele Service Centre. If service is requested by you in a remote geographical area, as determined by Miele in its sole discretion from time to time, you will, at Miele's option, be responsible for either:

- a) the travel expenses incurred by Miele to attend your premises; or
- b) the cost of removal and shipment of the appliance from your premises to the nearest authorized Miele Service Centre.

Miele Limited

Headquarter and Miele Centre

161 Four Valley Drive
Vaughan, ON L4K 4V8
miele.ca
customercare@miele.ca
professional@miele.ca (commercial enquiries)

Customer Care Centre

Phone: 1-800-565-6435
customercare@miele.ca (general and technical enquiries)

fr - Table des matières

CONSIGNES DE SÉCURITÉ IMPORTANTES	39
Développement durable et protection de l'environnement	45
Description de l'appareil	46
Prise en main	48
Accessoires standard	48
3D4U	48
Comment fonctionne le voyant de remplacement du sac à poussière	49
Mise en service	49
Raccordement du tuyau d'aspiration	49
Retrait du tuyau d'aspiration	49
Raccordement du tuyau d'aspiration à la poignée	50
Raccordement de la poignée au tube d'aspiration	50
Raccordement du tube d'aspiration à la brosse réglable	50
Activation de l'indicateur de changement de filtre via l'appli Miele (selon le modèle)	50
Fonctionnement	51
Positionnement du porte-accessoires	52
Utilisation de la brosse à meubles intégrée dans la poignée ÉcoConfort (selon le modèle)	52
Utilisation de la brosse à meubles intégrée dans la poignée Confort 2.0 (selon le modèle)	52
Réglage du tube d'aspiration télescopique (selon le modèle)	53
Réglage de la brosse	53
Aspiration d'escaliers	54
Déroulage du cordon d'alimentation	54
Enroulage du cordon d'alimentation	55
Mise en marche et arrêt	55
Niveaux de puissance d'aspiration intermédiaire	56
Immobilisation, transport et rangement	56
Système d'immobilisation pour des pauses pendant l'utilisation	56
Système d'immobilisation pour le rangement	57
Nettoyage et entretien	57
Commande d'accessoires	58
Remplacement du sac à poussière	58
Retrait du sac à poussière	59
Insertion du sac à poussière	59
Remplacement du filtre d'évacuation	60
Remplacement du filtre de protection moteur (si nécessaire)	61
Remplacement des ramasse-fils	61
Correction des anomalies	63

fr - Table des matières

Service technique	64
Contact en cas d'anomalies	64
Garantie	64
Accessoires en option	64
Achat d'accessoires	64
Garantie restreinte – Aspirateurs Canada	66

fr - CONSIGNES DE SÉCURITÉ IMPORTANTES

Cet aspirateur est conforme à l'ensemble des exigences réglementaires locales et nationales en vigueur en matière de sécurité. Une utilisation inappropriée de l'appareil peut entraîner des blessures corporelles et des dommages matériels.

Veuillez lire le mode d'emploi avant d'utiliser l'aspirateur pour la première fois. Il contient des renseignements importants sur la sécurité, l'utilisation et l'entretien de l'appareil. Vous éviterez ainsi de vous blesser et d'endommager l'appareil.

Conformément à la norme CEI 60335-1, Miele vous conseille expressément et vivement de lire et de suivre les instructions du chapitre « Raccordement », ainsi que celles contenues dans les « Consignes de sécurité et mises en garde ».

Miele ne peut pas être tenue pour responsable des blessures et des dommages causés par le non-respect de ces instructions.

Conservez ce mode d'emploi en lieu sûr afin de pouvoir le consulter au besoin et remettez-le au prochain propriétaire éventuel.

Débranchez toujours l'aspirateur de l'alimentation électrique après utilisation, avant de changer les accessoires, ainsi que pour les travaux d'entretien, de nettoyage, et de réparation. Retirez la fiche de la prise de courant.

Utilisation conforme

- ▶ Conçu pour nettoyer les planchers, cet aspirateur est prévu pour un usage domestique ou dans un environnement similaire. Cet aspirateur n'est pas adapté à une utilisation sur les chantiers de construction.
- ▶ Cet aspirateur peut être utilisé pour le nettoyage normal de la moquette, des tapis et des surfaces dures.

fr - CONSIGNES DE SÉCURITÉ IMPORTANTES

- ▶ Cet aspirateur n'est pas conçu pour être utilisé à l'extérieur.
- ▶ Cet aspirateur est conçu pour une utilisation jusqu'à 4000 m (13 000 pi) d'altitude au-dessus du niveau de la mer.
- ▶ L'aspirateur ne doit être utilisé que sur les planchers secs. Ne passez pas l'aspirateur sur les personnes ou les animaux. Toute autre utilisation, modification ou altération est interdite.
- ▶ Les personnes (y compris les enfants) dont les capacités physiques, sensorielles ou mentales sont réduites, ou qui manquent d'expérience ou de connaissances, et qui ne sont pas en mesure d'utiliser l'aspirateur en toute sécurité ne peuvent utiliser cet aspirateur que si elles sont surveillées pendant son utilisation ou si on leur a montré comment l'utiliser en toute sécurité et qu'elles comprennent et reconnaissent les conséquences d'une utilisation incorrecte.

Sécurité des enfants

- ▶ Risque de suffocation! Jetez les emballages, sacs et autres produits en plastique et gardez-les en tout temps hors de la portée des enfants.
- ▶ Ne laissez pas les enfants s'approcher de l'aspirateur à moins d'être supervisés en permanence.
- ▶ Les enfants de 8 ans et plus peuvent utiliser l'aspirateur sans surveillance uniquement s'ils ont appris à l'utiliser en toute sécurité. Les enfants doivent être capables de comprendre et de reconnaître les dangers potentiels liés à une utilisation inadéquate.
- ▶ Les enfants ne doivent pas procéder au nettoyage ou à l'entretien de l'aspirateur sans surveillance.

fr - CONSIGNES DE SÉCURITÉ IMPORTANTES

► Assurez-vous que l'aspirateur n'est pas utilisé comme un jouet. La vigilance s'impose lorsque l'aspirateur est utilisé en présence d'enfants.

AVERTISSEMENT

Pour diminuer le risque d'incendie, de décharge électrique ou de blessure, respectez les instructions ci-après :

► Vérifiez la tension nominale de l'aspirateur avant de brancher le cordon d'alimentation dans une prise électrique. Votre source d'alimentation doit correspondre à la tension indiquée sur la plaque signalétique située en dessous de l'aspirateur. N'utilisez que les prises de courant domestiques. N'utilisez jamais de sources d'alimentation en courant continu. Consultez un électricien professionnel si vous avez des doutes sur votre source d'alimentation. Le branchement de l'aspirateur à une tension supérieure à celle indiquée dans ces instructions peut endommager l'appareil ou causer des blessures.

► Pour réduire le risque de décharge électrique, cet appareil est équipé d'une fiche polarisée (une lame est plus large que l'autre.) Cette fiche ne s'insère dans une prise polarisée que dans un seul sens. Si elle ne s'insère pas complètement dans la prise de courant, inversez la fiche. Si elle ne s'insère toujours pas, appelez un électricien professionnel pour installer la prise appropriée. Ne modifiez en aucun cas la fiche.

Sécurité technique

► Avant chaque utilisation, vérifiez que ni l'aspirateur ni tous les accessoires fournis ne présentent de signes visibles de dommages. N'utilisez pas un aspirateur ou un accessoire endommagé.

fr - CONSIGNES DE SÉCURITÉ IMPORTANTES

► Comparez les données de raccordement indiquées sur la plaque signalétique de l'aspirateur (tension et fréquence) avec celles du réseau électrique. Elles doivent absolument être les mêmes. Sans modifications, l'aspirateur est adapté pour 50 Hz ou 60 Hz.

► L'intensité nominale de la prise électrique doit être 15 A.

► Un fonctionnement permanent ou temporaire est possible sur un système d'alimentation électrique autonome ou un système d'alimentation qui n'est pas synchronisé avec l'alimentation électrique du réseau (par ex. réseaux insulaires, systèmes auxiliaire). Pour faire fonctionner l'appareil, le système d'alimentation électrique doit être conforme aux spécifications de la norme EN 50160 ou d'une norme locale équivalente.

La fonction et le fonctionnement des mesures préventives fournies dans l'installation électrique domestique et dans ce produit Miele doivent être conservés en fonctionnement ponctuel ou en fonctionnement non synchronisé avec l'alimentation électrique du réseau, ou alors les mesures doivent être remplacées par des mesures équivalentes dans l'installation. Comme le décrit par exemple la version actuelle de la norme VDE-AR-E 2510-2 ou une norme locale équivalente.

► Les réparations ne doivent être effectuées que par un technicien autorisé, conformément aux normes de sécurité nationales et locales. Les réparations non autorisées peuvent causer des blessures ou endommager l'appareil. Autrement, la garantie peut être annulée.

► N'utilisez pas l'aspirateur si le câble d'alimentation est endommagé. Si le câble d'alimentation est endommagé, celui-ci et la bobine doivent être remplacés. Pour des raisons de sécurité, cette opération doit être effectuée uniquement par le service technique Miele ou un technicien agréé Miele.

fr - CONSIGNES DE SÉCURITÉ IMPORTANTES

▶ N'utilisez pas le câble d'alimentation pour transporter l'aspirateur et ne tirez pas dessus pour le débrancher. Ne tirez pas le câble d'alimentation contre des bords tranchants et ne l'écrasez pas. Évitez de faire passer fréquemment l'aspirateur sur le câble d'alimentation. Le câble d'alimentation, la fiche ou la prise peuvent s'en trouver endommagés et vous mettre en danger.

▶ Les réparations doivent être effectuées exclusivement par des techniciens autorisés par Miele. Une réparation ou des travaux réalisés par une personne non compétente peut mettre les utilisateurs en danger.

Utilisation correcte

▶ Pour éviter les risques de dommages, n'utilisez pas l'aspirateur sans que le sac à poussière, le filtre du réservoir à poussière et le filtre d'évacuation ne soient en place.

▶ Le couvercle du réservoir à poussière ne se ferme pas sans la présence d'un sac à poussière. Ne le forcez pas.

▶ Avant de fermer le couvercle du réservoir à poussière, toujours s'assurer que le sac à poussière a été inséré suffisamment profondément et qu'il s'est enclenché de manière audible.

▶ N'aspirez rien qui a brûlé ou qui fume, qu'il soit incandescent ou apparemment éteint (cigarettes, cendres ou cendres chaudes, etc.).

▶ N'utilisez pas l'aspirateur pour aspirer les particules d'encre en poudre. L'encre utilisée dans les imprimantes et les photocopieurs est conductrice d'électricité.

▶ N'utilisez pas l'aspirateur pour aspirer l'eau, les liquides ou la saleté humide. Attendez que les tapis ou moquettes fraîchement nettoyés ou shampooinés soient complètement secs avant d'essayer de passer l'aspirateur.

fr - CONSIGNES DE SÉCURITÉ IMPORTANTES

▶ N'aspirez pas de liquides ou de gaz inflammables ou combustibles et ne passez pas l'aspirateur dans les zones où ces substances sont stockées.

▶ N'aspirez pas à hauteur de tête et n'approchez pas le tuyau d'aspiration de la tête d'une personne.

Nettoyage

▶ Ne plongez pas l'aspirateur ou ses accessoires dans l'eau. Utilisez uniquement un chiffon sec ou légèrement humide pour nettoyer l'aspirateur une fois qu'il est débranché, ainsi que ses accessoires.

Accessoires et pièces de rechange

▶ Si vous passez l'aspirateur avec la poignée sans aucun accessoire, n'endommagez pas la poignée.

▶ Il est fortement recommandé d'utiliser des sacs à poussière, filtres et accessoires d'origine portant le logo Miele sur l'emballage. Sinon, le fabricant ne peut pas garantir la sécurité de ce produit.

▶ Miele ne peut garantir la sécurité de l'appareil que si des pièces de rechange d'origine Miele sont utilisées. Les composants défectueux ne doivent être remplacés que par des pièces d'origine Miele.

Transport

▶ L'emballage protège l'aspirateur contre d'éventuels dégâts pendant le transport. Il est conseillé de le conserver pour le transport futur.

CONSERVEZ CES INSTRUCTIONS

fr - Développement durable et protection de l'environnement

Élimination de l'emballage

L'emballage protège l'aspirateur contre d'éventuels dégâts pendant le transport. Nous vous recommandons de le conserver pour l'utiliser lors d'un éventuel transport.

Les matériaux d'emballage utilisés sont sélectionnés en fonction de critères écologiques pour en faciliter le recyclage. Le recyclage de l'emballage permet d'économiser les matières premières lors de la fabrication et de réduire le volume des déchets dans les sites d'enfouissement. Assurez-vous que l'emballage est éliminé conformément à la réglementation de votre région.

Élimination des sacs à poussière et des filtres

Les sacs à poussière et les filtres sont fabriqués de matériaux écologiques et peuvent être jetés avec les ordures ménagères normales, tant et aussi longtemps qu'ils ont été utilisés exclusivement pour de la poussière ménagère générale.

Mise au rebut de votre ancien appareil

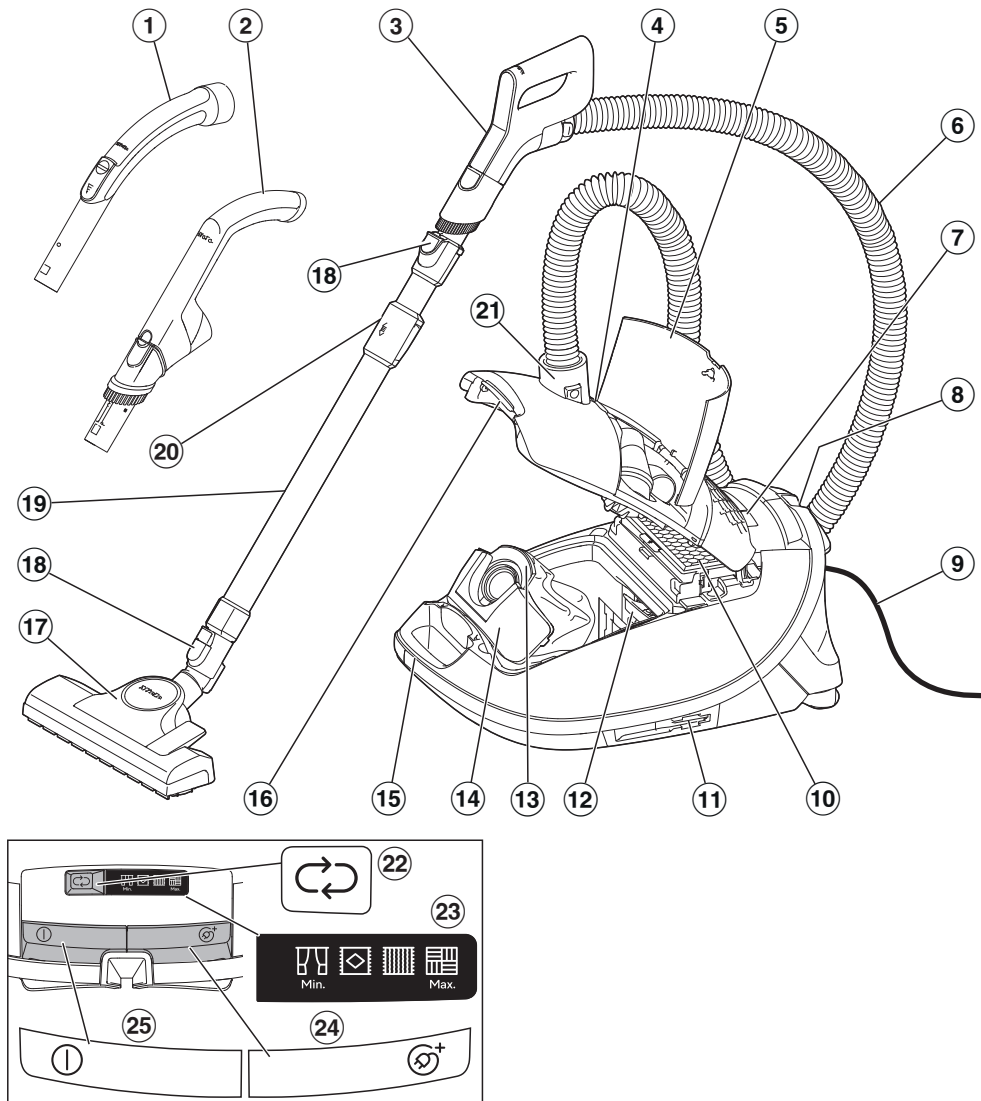
Les appareils électriques et électroniques contiennent du matériel dangereux. Ils contiennent également des substances, des composés et des éléments qui étaient essentiels pour leur fonctionnement adéquat et sécuritaire. Une manipulation ou la mise au rebut inadéquate de ces matériaux dans vos ordures ménagères peut poser un risque pour votre santé et l'environnement. Par conséquent, veuillez ne pas disposer de

vos vieux appareils dans les ordures ménagères et respectez les règlements locaux pour la mise au rebut appropriée.



Veuillez consulter les centres de recyclage de votre localité comment mettre au rebut et recycler les appareils électriques et électroniques. Miele décline toute responsabilité de supprimer les données personnelles laissées sur l'appareil mis au rebut. Veuillez vous assurer que votre vieil appareil ne pose pas un risque pour les enfants lorsqu'il est entreposé avant sa mise au rebut. Respectez les consignes de sécurité pour les appareils, qui peuvent basculer ou poser un risque de piégeage.

fr - Description de l'appareil



fr - Description de l'appareil

- ① Poignée*
- ② Poignée ÉcoConfort*
- ③ Poignée Confort*
- ④ Indicateur de remplacement du sac à poussière
- ⑤ Compartiment à accessoires
- ⑥ Tuyau d'aspiration
- ⑦ Écran
- ⑧ Système d'immobilisation pour des pauses pendant l'utilisation
- ⑨ Cordon d'alimentation
- ⑩ Filtre d'évacuation Miele d'origine*
- ⑪ Système d'immobilisation pour le rangement (sur les deux côtés de l'aspirateur)
- ⑫ Filtre de protection moteur
- ⑬ Sac à poussière d'origine Miele
- ⑭ Élément de blocage
- ⑮ Poignée
- ⑯ Touche de déverrouillage du couvercle du compartiment à poussière
- ⑰ Brosse*
- ⑱ Touches de déverrouillage
- ⑲ Tube d'aspiration télescopique*
- ⑳ Mécanisme de dégagement du tube d'aspiration télescopique
- ㉑ Raccord de tuyau
- ㉒ Bouton de sélection de la puissance d'aspiration ↻
- ㉓ Écran d'affichage des niveaux de puissance
- ㉔ Pédale de rembobinage du cordon d'alimentation Ⓢ⁺
- ㉕ Pédale marche/arrêt ①

* Ces options spéciales varient selon le modèle et peuvent ne pas être fournies avec votre aspirateur.

Prise en main

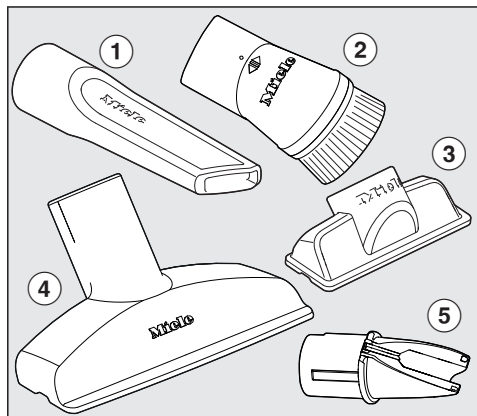
Cet aspirateur peut être utilisé pour le nettoyage quotidien des moquettes, tapis et sols durs durables.

Miele propose une gamme d'accessoires adaptés à de nombreux modes spéciaux (voir « Accessoires en option »).

Certains modèles sont fournis de série avec une turbobrosse qui n'est pas illustrée.

Un mode d'emploi séparé est joint à la turbobrosse.

Accessoires standard



① Embout à interstices

Accessoire permettant de nettoyer dans les plis, fentes et recoins.

② Brosse à meubles

Accessoire permettant d'aspirer les moulures, les meubles sculptés ou décoratifs.

La tête de la brosse pivote et s'adapte à la forme des objets.

Brosse à meubles sur la poignée (selon le modèle)

Accessoire permettant d'aspirer des surfaces résistantes aux rayures, par ex. les claviers, ou d'aspirer les miettes.

③ Embout à coussins (selon le modèle)

Accessoire permettant de nettoyer les tissus d'ameublement, les matelas et les coussins.

④ Embout à coussins, fourni séparément (selon le modèle)

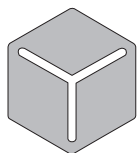
Pour nettoyer tissus d'ameublement, matelas, coussins, rideaux, etc.

⑤ Porte-accessoires pour embout à coussins (selon le modèle)

Pour ranger l'embout à coussins fourni séparément

3D4U

Avec 3D4U, Miele propose également des accessoires à télécharger gratuitement pour votre imprimante 3D (www.miele.com, service à la clientèle, 3D4U).



3 D 4 U

Comment fonctionne le voyant de remplacement du sac à poussière

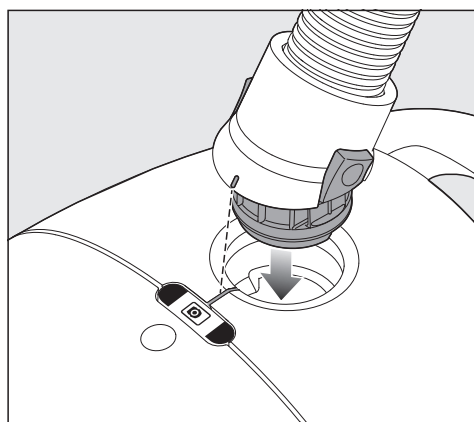
Le voyant de remplacement du sac à poussière est réglé pour la poussière résidentielle normale. Elle contient généralement un mélange de poussière, de cheveux, de fils, de peluches de tapis, de sable, etc.

Toutefois, si l'aspirateur a servi pour nettoyer de la poussière fine comme le plâtre, la poussière de brique, le ciment ou la farine, les pores du sac à poussière peuvent devenir rapidement obstrués. Cela affecte la perméabilité à l'air du sac et le marqueur indiquera que le sac est « plein » même s'il ne l'est pas. Si cela se produit, vous devez tout de même changer le sac à poussière parce que la puissance d'aspiration sera grandement réduite à cause de l'obstruction des pores du sac à poussière.

Si, au contraire, une grande quantité de cheveux ou de peluches de tapis, qui contiennent généralement beaucoup d'air, sont aspirés le voyant pourra ne pas réagir même si le sac est plein. Vous devez tout de même le changer. Ces deux extrêmes peuvent se produire.

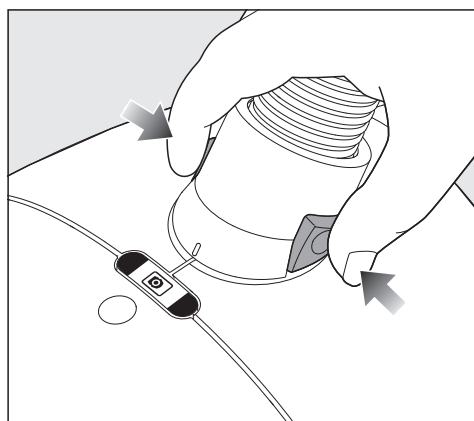
Mise en service

Raccordement du tuyau d'aspiration



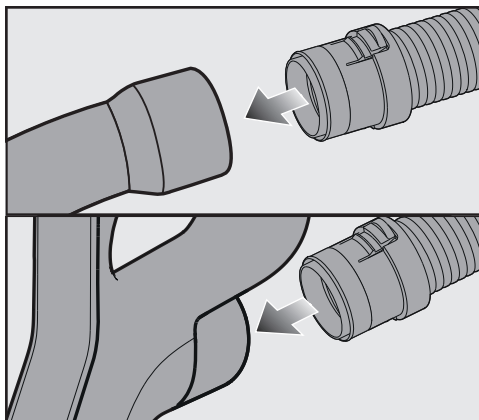
- Insérez le raccord de tuyau dans l'orifice d'aspiration de l'aspirateur jusqu'à ce qu'il s'enclenche. Pour ce faire, alignez les guides sur ces deux pièces.

Retrait du tuyau d'aspiration



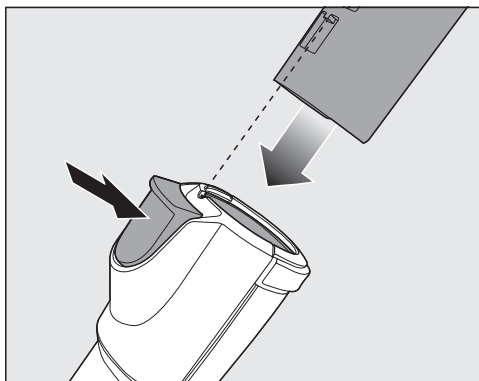
- Appuyez sur les touches de déverrouillage situées sur les côtés du raccord de tuyau et retirez le tuyau de l'orifice d'aspiration.

Raccordement du tuyau d'aspiration à la poignée



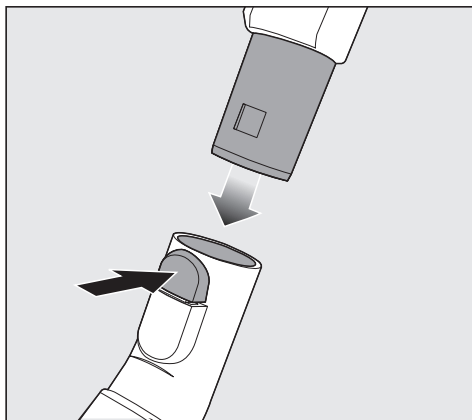
- Insérez le raccord de tuyau d'aspiration dans la poignée jusqu'à ce qu'il s'enclenche.

Raccordement de la poignée au tube d'aspiration



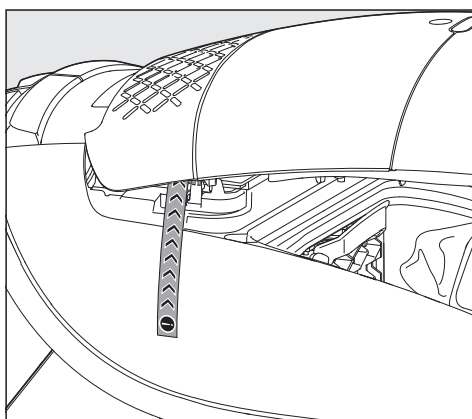
- Insérez la poignée dans le tube d'aspiration jusqu'à ce qu'elle s'enclenche. Pour ce faire, alignez les guides sur ces deux pièces.
- Pour séparer la poignée du tube d'aspiration, appuyez sur la touche de déverrouillage et retirez la poignée en effectuant un léger mouvement de rotation.

Raccordement du tube d'aspiration à la brosse réglable

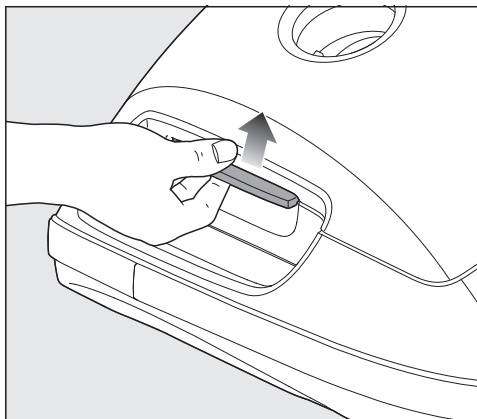


- Insérez bien le tube d'aspiration dans la brosse, puis tournez dans les deux sens jusqu'à ce qu'il s'enclenche audiblement.
- Pour séparer le tube d'aspiration de la brosse, appuyez sur la touche de déverrouillage et tirez le tube en effectuant un léger mouvement de rotation.

Activation de l'indicateur de changement de filtre via l'appli Miele (selon le modèle)



Si une bande indicatrice sort du compartiment à poussière sur le côté de votre aspirateur, vous pouvez activer l'indicateur de changement de filtre dans l'appli Miele. Vous saurez ainsi à temps lorsque le filtre d'évacuation doit être remplacé.



- Appuyez sur la touche de déverrouillage de la poignée en creux et levez le couvercle du compartiment à poussière autant que possible.
- Retirez la bande indicatrice.
- Balayez le code QR pour télécharger l'appli Miele (si cela n'est pas déjà fait).
- Ouvrez l'appli Miele et configurez un compte utilisateur (si vous n'en possédez pas déjà un).
- Ajoutez votre aspirateur à l'appli Miele.
- Accédez aux informations d'état du filtre et suivez les instructions de navigation de l'utilisateur sur l'appli Miele.

Le filtre d'évacuation doit en moyenne être remplacé après une durée de vie d'un an.

⚠ Dommages dus à une contamination du compartiment à poussière.

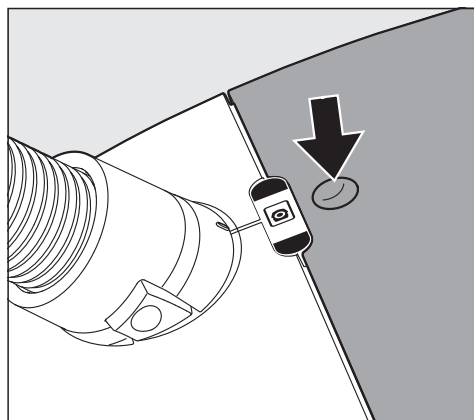
De grandes quantités de poussière peuvent pénétrer dans le compartiment à poussière et endommager les composants si le sac à poussière n'est pas correctement enclenché.

Avant de fermer le couvercle du compartiment à poussière, toujours s'assurer que le sac à poussière est bien inséré et que l'élément de blocage est fermé.

- Fermez le couvercle du compartiment à poussière en veillant à ce qu'il s'enclenche. Veillez à ne pas coincer le sac à poussière.

Fonctionnement

Retrait d'accessoires



- Appuyez sur la touche de déverrouillage située sur le couvercle du compartiment à accessoires.

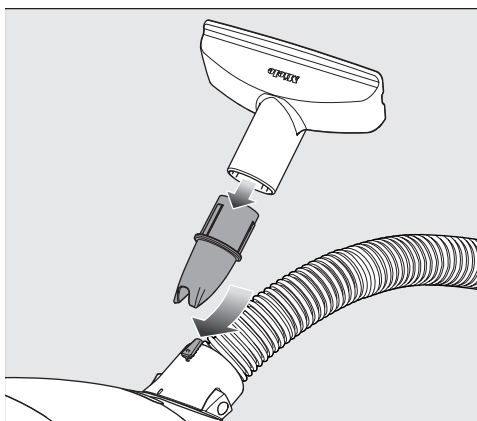
Le compartiment à accessoires s'ouvre.

- Prenez les accessoires dont vous avez besoin.

fr-CA

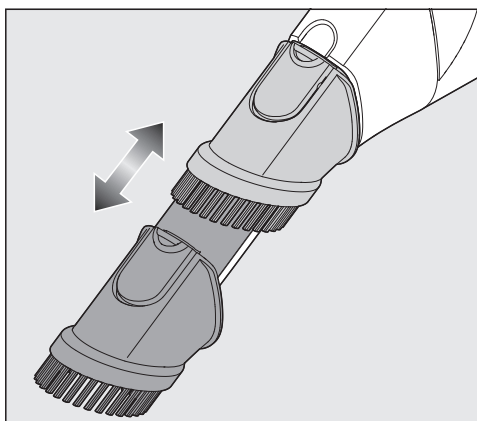
- Appuyez fermement sur le couvercle du compartiment à accessoires pour le refermer.

Positionnement du porte-accessoires (selon le modèle)



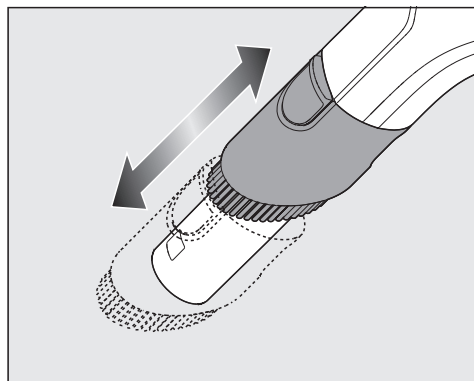
- Si nécessaire, fixez le porte-accessoires sur le raccord du tuyau sur l'aspirateur. Assurez-vous qu'il s'enclenche.

Utilisation de la brosse à meubles intégrée dans la poignée ÉcoConfort (selon le modèle)

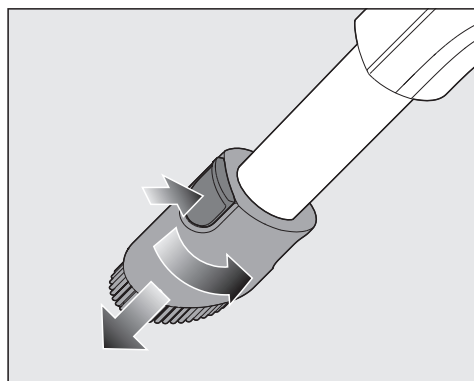


- Appuyez sur la touche de déverrouillage de la brosse à meubles et poussez la brosse jusqu'à ce qu'elle s'enclenche de manière audible.
- Une fois l'aspiration terminée, appuyez sur la touche de déverrouillage et repositionnez la brosse dans sa position initiale jusqu'à ce qu'elle s'enclenche.

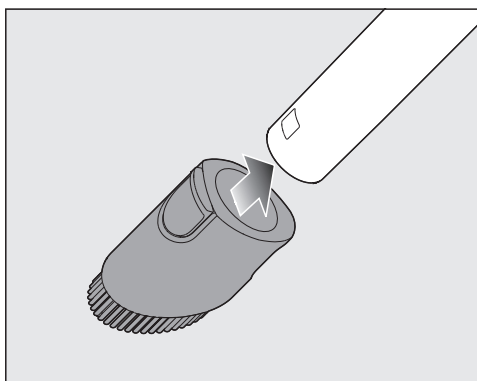
Utilisation de la brosse à meubles intégrée dans la poignée Confort 2.0 (selon le modèle)



- Appuyez sur la touche de déverrouillage de la brosse à meubles et poussez la brosse jusqu'à ce qu'elle s'enclenche de manière audible.



- Appuyez sur la touche de déverrouillage et tournez la brosse à meubles sur le côté.
- Poussez la brosse à meubles le long du guide vers le bas jusqu'à ce qu'elle se détache de la poignée.



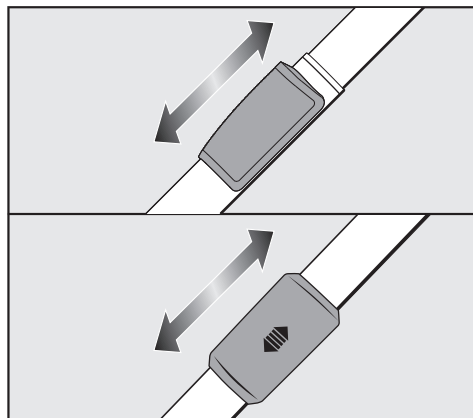
- Poussez la brosse à meubles contre le tube d'aspiration jusqu'à ce qu'elle s'enclenche de manière audible.

Une fois l'aspiration terminée

- Appuyez sur la touche de déverrouillage et retirez la brosse à meubles du tube d'aspiration.
- Remettez la brosse à meubles en place dans la poignée Confort 2.0 jusqu'à ce qu'elle s'enclenche de manière audible.
- Remettez la brosse à meubles dans sa position initiale de façon à pouvoir repousser la poignée dans le tube d'aspiration.

Réglage du tube d'aspiration télescopique (selon le modèle)

Le tube d'aspiration télescopique se compose de deux parties emboîtées l'une dans l'autre, qu'il faut adapter à la longueur la plus pratique pour effectuer les travaux d'aspiration.

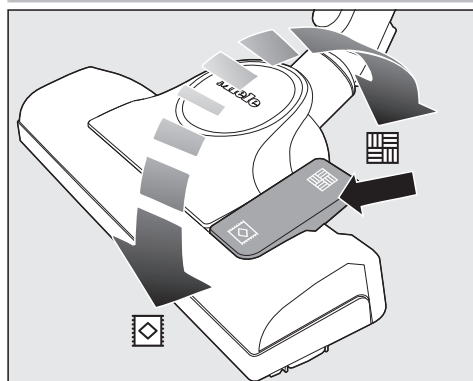


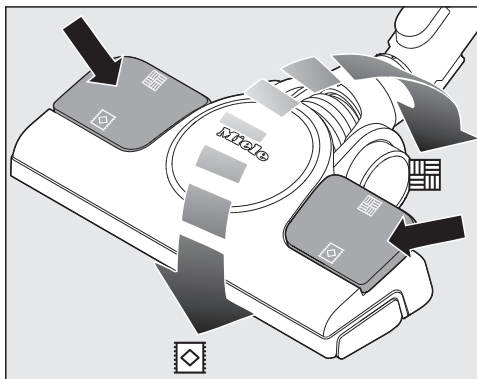
- Tenez le mécanisme de dégagement afin de régler la longueur du tube d'aspiration télescopique.

Réglage de la brosse

Selon le modèle de votre aspirateur, celui-ci peut être équipé de série de l'une des brosses illustrées.

Veuillez vous conformer aux conseils de nettoyage et d'entretien du fabricant du revêtement de sol.





Nettoyez les sols durs non susceptibles d'être rayés et les revêtements de sol ayant des rainures ou des interstices profonds avec la brosse sortie :


- Appuyez sur la pédale .

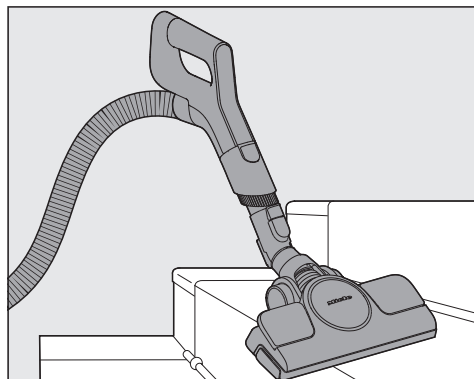
Nettoyez les moquettes et les tapis avec la brosse rentrée :

- Appuyez sur la pédale .

Si la puissance d'aspiration de la brosse à plancher ajustable semble trop élevée, réduisez-la jusqu'à ce que la brosse à plancher glisse plus facilement (voir la section « Utilisation » – « Sélection de la puissance d'aspiration »).

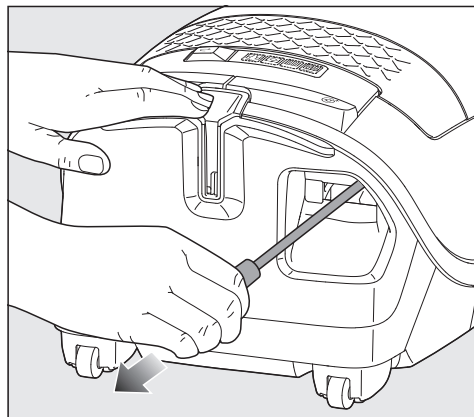
Aspiration d'escaliers

 Risque de blessure en cas de chute de l'aspirateur.
 Vous ou d'autres personnes pourriez vous blesser si l'aspirateur tombait dans les escaliers.
 Aspirez toujours les marches d'escalier du bas vers le haut.




La brosse réglable peut également être utilisée pour aspirer les escaliers.

Déroulage du cordon d'alimentation

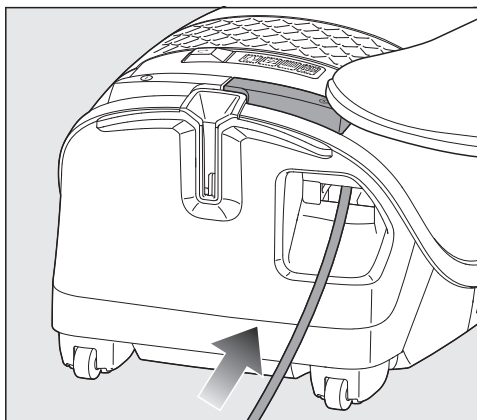


- Tirez le cordon d'alimentation jusqu'à la longueur souhaitée.
- Insérer la fiche dans la prise de courant.

 Risque de dommages dû à une surchauffe.
 Le cordon d'alimentation peut surchauffer après une longue période d'utilisation.
 Si vous utilisez l'aspirateur pendant plus de 30 minutes, il faut dérouler le cordon d'alimentation entièrement.

Enroulage du cordon d'alimentation

- Retirez la fiche de la prise de courant.



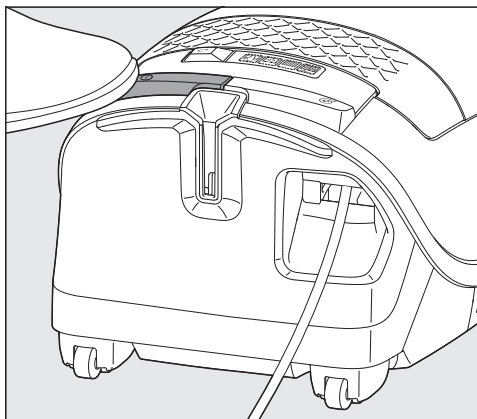
- Appuyez brièvement sur la pédale pour enrôler le cordon.

Le cordon se rétractera alors complètement.

Vous pouvez arrêter d'enrouler le cordon à tout moment.

- Tirez légèrement sur le cordon pendant qu'il s'enroule.

Mise en marche et arrêt







- Appuyez sur la pédale marche/arrêt ①.

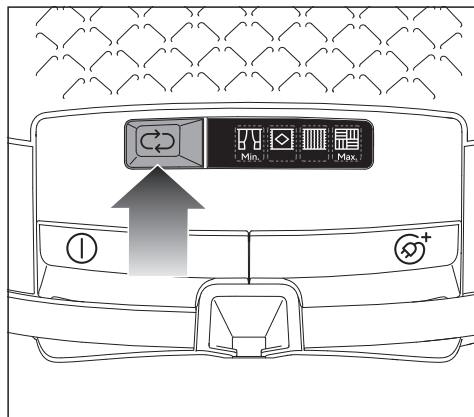
Réglage de la puissance d'aspiration

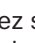
La puissance d'aspiration peut être réglée selon le type de sol à nettoyer. Lorsque vous réduisez le niveau de puissance d'aspiration, la brosse à plancher glisse plus facilement.

Les symboles du sélecteur indiquent les types d'utilisation convenant aux différents niveaux de puissance.

-  Voilages, tissus
-  Moquettes, tapis et tapis de corridor à poil long
-  Moquettes et tapis à poil court
-  Planchers durs, moquettes et tapis très sales (également pour nettoyer les meubles rembourrés et les matelas avec l'embout à coussins)

Lorsque l'aspirateur est allumé, le niveau de puissance le plus élevé est automatiquement sélectionné.



- Appuyez sur le bouton  jusqu'à atteindre le niveau de puissance requis.

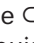

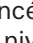
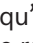
Le niveau de puissance sélectionné s'allume en jaune.

À la prochaine utilisation de l'aspirateur, celui-ci se mettra en marche au niveau de puissance utilisé la fois précédente.

Niveaux de puissance d'aspiration intermédiaire

Vous pouvez modifier les niveaux de puissances prédéfinis et personnaliser la puissance d'aspiration de votre aspirateur pour l'adapter à vos besoins individuels.

Pour ce faire, procédez comme suit :

- Appuyez sur la pédale  jusqu'à atteindre le niveau de puissance minimum .
- Maintenez la pédale  enfoncée jusqu'à ce que le symbole du niveau de puissance supérieure commence à clignoter.
- Relâcher ensuite la pédale.
- Appuyez sur la pédale  jusqu'à atteindre le niveau de puissance requis.

Patiencez 30 secondes et ne touchez à aucun des contrôles; le réglage de la puissance d'aspiration intermédiaire sera enregistré au prochain niveau de puissance le plus élevé. Le clignotement s'arrête.

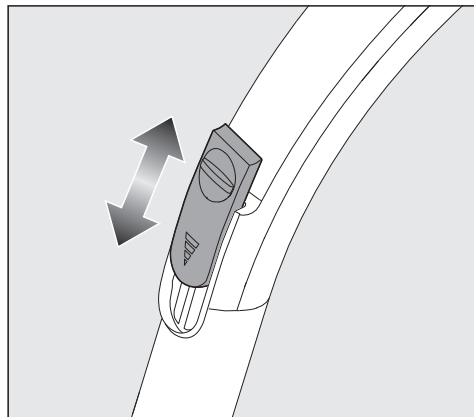
À la prochaine utilisation de l'aspirateur, celui-ci se mettra en marche au niveau de puissance d'aspiration intermédiaire réglé.

Ce réglage sera supprimé si vous sélectionnez ensuite l'un des niveaux de puissance standard.

Ouverture de la soupape d'entrée d'air

(pas sur les modèles avec poignée Éco-Confort ou poignée Confort 2.0)

Il est facile de réduire la puissance d'aspiration pendant un court moment, par ex. pour empêcher les tapis ou d'autres revêtements en tissu d'être aspirés dans l'aspirateur.




- Ouvrez suffisamment la soupape d'entrée d'air sur la poignée pour réduire la puissance d'aspiration.

La brosse sera plus facile à manœuvrer.

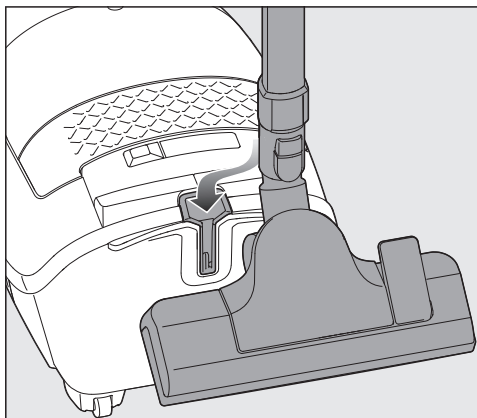
Immobilisation, transport et rangement

Système d'immobilisation pour des pauses pendant l'utilisation

Le système d'immobilisation vous permet d'immobiliser le tube d'aspiration et la brosse sur l'aspirateur pendant de brèves pauses.

 Risque de blessure en cas de chute de l'aspirateur.

N'utilisez pas le système d'immobilisation si l'aspirateur se trouve sur un plan incliné, par ex. une rampe.



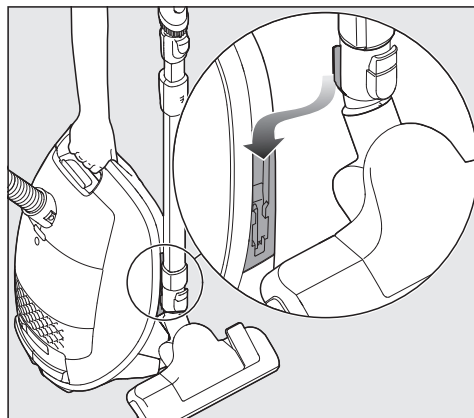
- Insérez la brosse dans le système d'immobilisation de l'aspirateur.

Système d'immobilisation pour le rangement

Le système d'immobilisation vous permet d'immobiliser le tube d'aspiration et la brosse sur l'aspirateur pour le transporter ou le ranger.

⚠ Risque de décharge électrique due à la tension.
L'appareil est sous tension même s'il est éteint.
Après utilisation, débranchez toujours l'aspirateur de l'alimentation électrique. Retirez la fiche de la prise de courant.

- Posez l'aspirateur à la verticale.
- Rétractez au maximum le tube d'aspiration télescopique.



- Insérez la brosse vers le bas dans l'un des supports du tube.

Ceci est plus pratique pour transporter ou ranger votre aspirateur.

Nettoyage et entretien

⚠ Risque de décharge électrique due à la tension.
L'appareil est sous tension même s'il est éteint.
Éteignez toujours l'aspirateur avant de le nettoyer et de l'entretenir. Retirez la fiche de la prise de courant.

Le système de filtration de Miele comprend 3 accessoires :

- sac à poussière Miele d'origine (modèle **CO**);
- filtre d'évacuation Miele d'origine;
- filtre de protection moteur.

Pour que l'aspirateur fonctionne avec la puissance d'aspiration maximale, le sac à poussière et le filtre d'évacuation doivent être remplacés régulièrement.

Nous recommandons d'utiliser uniquement des sacs à poussière, des filtres et des accessoires d'origine portant le logo Miele avec cet aspirateur. Cela permettra d'assurer le maintien de sa puissance d'aspiration, ce qui donne les meilleurs résultats de nettoyage possible.

Les sacs à poussière avec le logo Miele ne sont pas fabriqués de papier ou de matériau à base de papier et n'ont pas de collier de carton. C'est pourquoi nos sacs à poussière sont particulièrement durables et fiables.

Veuillez noter que les défauts et dommages à l'appareil résultant de l'utilisation d'accessoires qui ne comportent pas le logo Miele ne seront pas couverts par la garantie de l'appareil.

Commande d'accessoires

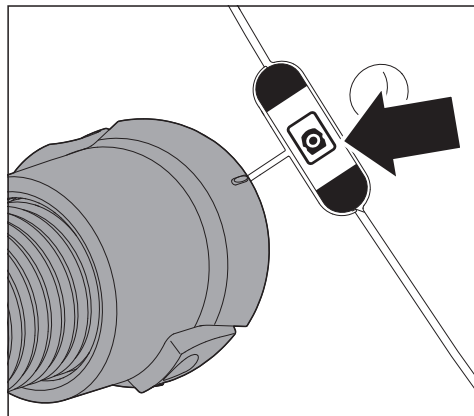
Les accessoires Miele d'origine sont disponibles sur la boutique en ligne Miele, auprès du service technique Miele et chez votre revendeur Miele.

Les accessoires d'origine Miele sont reconnaissables au logo Miele sur l'emballage.

Chaque paquet de sacs à poussière d'origine Miele contient 4 sacs à poussière et un filtre d'évacuation d'air Air-Pur (AirClean). Les grands paquets originaux Miele contiennent 16 sacs à poussière et 4 filtres d'évacuation d'air Air-Pur (AirClean).

Pour l'achat ultérieur de filtres d'évacuation d'air d'origine Miele, vous trouverez les désignations de vente au chapitre « Accessoires en option », paragraphe « Filtres ».

Remplacement du sac à poussière



Changez le sac à poussière lorsque le marqueur dans l'indicateur de remplacement du sac à poussière vire au rouge.

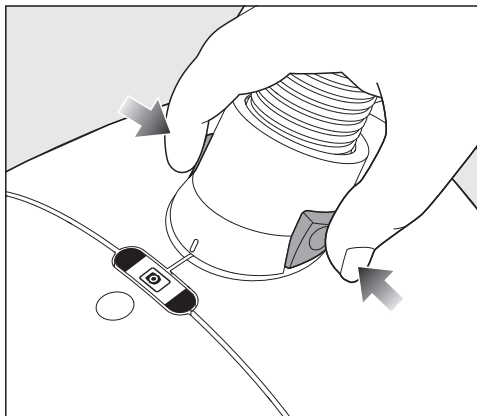
Réduction de la puissance d'aspiration due à l'obstruction des pores du sac à poussière.

Ne réutilisez pas les sacs à poussière.

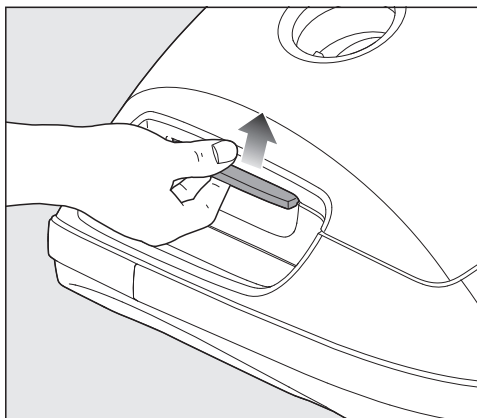
Vérification du voyant de remplacement du sac à poussière

- Emboîtez la brosse à plancher dans l'aspirateur.
- Mettez l'aspirateur en marche et réglez le sélecteur sur la puissance maximum.
- Soulevez légèrement la brosse à plancher du sol.

Retrait du sac à poussière

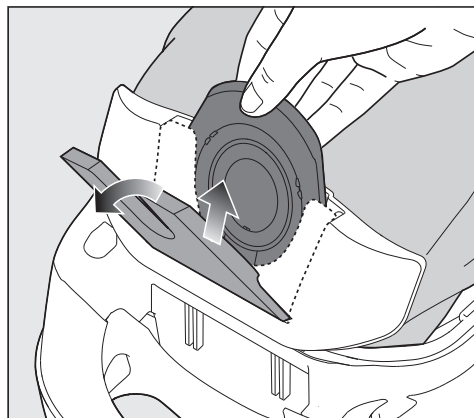


- Appuyez sur les touches de déverrouillage situées sur les côtés du raccord de tuyau et retirez le raccord de tuyau de l'orifice d'aspiration.



- Appuyez sur la touche de déverrouillage de la poignée en retrait et levez le couvercle du compartiment à poussière autant que possible.

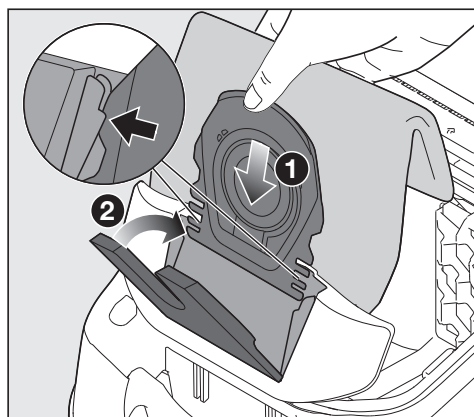
Une fois le couvercle du compartiment à poussière ouvert, l'élément de blocage brun s'ouvre automatiquement et libère le sac à poussière qui peut alors être retiré.



- Retirez le sac à poussière de son support en le tenant par le collier.

L'élément de blocage brun empêche la fermeture du couvercle du compartiment à poussière lorsqu'aucun sac à poussière n'est inséré. Ne forcez pas le mécanisme.

Insertion du sac à poussière

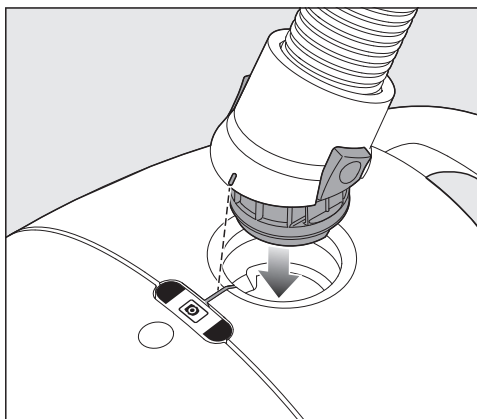


- Insérez le nouveau sac à poussière le plus loin possible dans le support de sac à poussière surélevé. Laissez le sac à poussière plié tel que vous le sortez de la boîte.

Veillez à ce que le collier du sac à poussière soit complètement inséré des deux côtés du guide.

L'élément de blocage brun se ferme et s'enclenche.

- Fermez le couvercle du compartiment à poussière en veillant à ce qu'il s'enclenche. Veillez à ne pas coincer le sac à poussière.



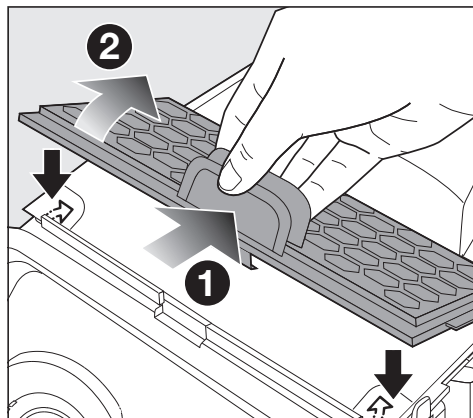
- Insérez le raccord de tuyau dans l'orifice d'aspiration de l'aspirateur jusqu'à ce qu'il s'enclenche. Pour ce faire, alignez les guides sur ces deux pièces.

Remplacement du filtre d'évacuation AirPur (AirClean)

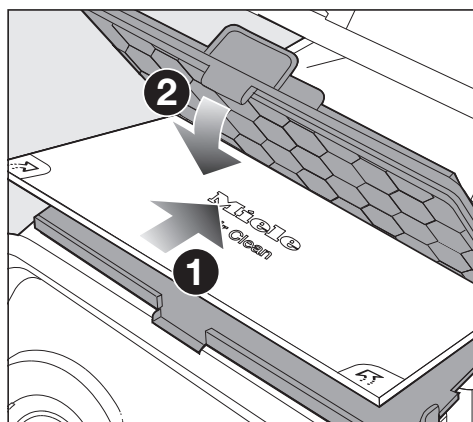
N'utilisez qu'un seul filtre d'évacuation.

- Ouvrez le couvercle du compartiment à poussière.

Si vous souhaitez insérer un filtre d'évacuation AirPur Plus (AirClean Plus) 50, Silence AirPur (Silence AirClean) 50, AirPur Actif (Active AirClean) 50 ou HEPA AirPur (HEPA AirClean) 50, voir la section « Changement du type de filtre d'évacuation ».



- Appuyez sur la languette de dégagement de la grille de filtre et ouvrez la grille.
- Prenez le filtre d'évacuation AirPur (AirClean) usé par l'une des parties propres, non souillées, et sortez-le.



- Insérez un nouveau filtre d'évacuation AirPur (AirClean) en veillant à l'introduire correctement.
- Fermez la grille de filtre.

⚠ Dommages dus à une contamination du compartiment à poussière.

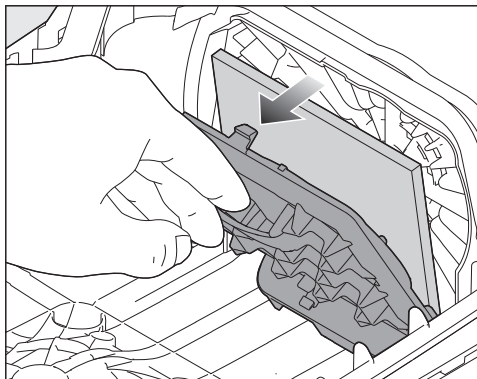
De grandes quantités de poussière peuvent pénétrer dans le compartiment à poussière et endommager les composants si le sac à poussière n'est pas correctement enclenché.

Avant de fermer le couvercle du compartiment à poussière, toujours s'assurer que le sac à poussière est bien inséré et que l'élément de blocage est fermé.

- Fermez le couvercle du compartiment à poussière en veillant à ce qu'il s'enclenche. Veillez à ne pas coincer le sac à poussière.

Remplacement du filtre de protection moteur (si nécessaire)

- Ouvrez le couvercle du compartiment à poussière.
- Sortez le sac à poussière du support en le tenant par le collier.



- Soulevez la grille de filtre jusqu'à ce qu'elle s'enclenche et retirez l'ancien filtre de protection moteur.
- Remplacez-le par un nouveau filtre de protection moteur.
- Fermez la grille de filtre.

- Insérez le sac à poussière dans son support jusqu'à ce que l'élément de blocage soit bien fermé.

⚠ Dommages dus à une contamination du compartiment à poussière.

De grandes quantités de poussière peuvent pénétrer dans le compartiment à poussière et endommager les composants si le sac à poussière n'est pas correctement enclenché.

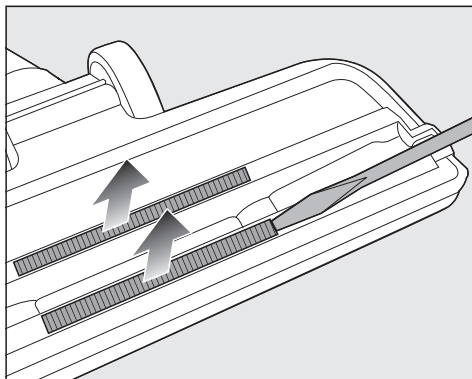
Avant de fermer le couvercle du compartiment à poussière, toujours s'assurer que le sac à poussière est bien inséré et que l'élément de blocage est fermé.

- Fermez le couvercle du compartiment à poussière en veillant à ce qu'il s'enclenche. Veillez à ne pas coincer le sac à poussière.

Vous pouvez vous procurer des pièces de rechange auprès de Miele, de votre revendeur Miele ou du Service Miele.


Remplacement des ramasse-fils

Les ramasse-fils au niveau de la fente d'aspiration de la brosse peuvent être remplacés. Remplacez les ramasse-fils lorsque le velours est usé.




fr-CA

- Retirez les ramasse-fils des fentes.
Pour ce faire, utilisez un outil adapté, par ex. un tournevis plat.
- Installez les nouveaux ramasse-fils.

 Débranchez toujours l'aspirateur de l'alimentation électrique avant de le nettoyer. Éteignez-le et débranchez-le.

L'aspirateur et ses accessoires


L'aspirateur et tous les accessoires de plastique peuvent être nettoyés à l'aide d'un nettoyant spécialement conçu pour le plastique.

 N'utilisez pas d'agents nettoyants abrasifs, de produits pour vitres, de nettoyants tout usage ni de nettoyants à base d'huile!

Réservoir à poussière

Le réservoir à poussière peut être nettoyé, si nécessaire, avec un chiffon **sec**, une brosse ou, si disponible, un deuxième aspirateur pour nettoyer la poussière.

Surveillez le voyant de remplacement du sac à poussière et inspectez tous les filtres régulièrement. Nettoyez-les ou remplacez-les lorsque nécessaire, conformément aux instructions d'utilisation.

 Ne laissez pas l'aspirateur devenir mouillé. Si de l'humidité pénètre dans l'aspirateur, vous risquez de subir une décharge électrique.

Correction des anomalies

De nombreux dysfonctionnements et anomalies peuvent être facilement résolus. Dans bon nombre de cas, cela vous permet d'économiser du temps et de l'argent, car vous n'avez pas besoin de faire appel au service à la clientèle.

Retrouvez de plus amples informations pour vous aider à résoudre les anomalies sur <https://www.miele.ca/fr/support/customer-assistance>.



⚠ Risque de décharge électrique due à la tension.

La tension d'alimentation est appliquée à l'appareil, même s'il est éteint.

Avant de traiter un problème, débranchez l'appareil de la prise de courant après utilisation.

Problème	Cause et solution possibles
L'aspirateur s'éteint automatiquement.	<p>Un mécanisme de limitation de la température éteint l'aspirateur automatiquement lorsqu'il devient trop chaud.</p> <p>Cela peut se produire si, par exemple, de gros articles bloquent le tube ou lorsque le sac à poussière est plein ou contient des particules de poussière fine. Une évacuation très sale ou le filtre du réservoir à poussière peuvent également causer la surchauffe.</p> <ul style="list-style-type: none"> ■ Éteignez l'aspirateur immédiatement au moyen de l'interrupteur au pied marche/arrêt ① et débranchez-le. <p>Après avoir retiré la cause, attendez environ 20 à 30 minutes pour permettre à l'aspirateur de se refroidir. Puis, il pourra être rallumé.</p>

Service technique

Vous pouvez trouver des informations sur les pièces de rechange Miele et des informations vous aidant à résoudre des dysfonctionnements sur www.miele.com/service.

Contact en cas d'anomalies

Vous n'arrivez pas à résoudre la panne par vous-même ? Contactez le service après-vente Miele ou votre revendeur Miele.

Les coordonnées du service après-vente Miele figurent en fin de notice.

Garantie

Pour plus d'informations reportez-vous aux conditions de garantie fournies.

Accessoires en option

Veillez suivre les consignes de nettoyage et d'entretien du fabricant du revêtement de sol.

Nous recommandons d'utiliser exclusivement des accessoires d'origine portant le logo Miele sur l'emballage. Seuls ces accessoires garantissent l'efficacité optimale de votre aspirateur et les meilleurs résultats de nettoyage possibles.

Veillez noter que les erreurs et dommages résultant de l'utilisation d'accessoires qui ne portent pas le logo Miele ne seront pas couverts par la garantie de l'aspirateur.

Achat d'accessoires

Les accessoires Miele d'origine sont disponibles sur la boutique en ligne Miele, auprès du service technique Miele et chez votre revendeur Miele.

Les accessoires Miele d'origine sont reconnaissables par le logo Miele sur l'emballage

Certains modèles sont équipés en série d'un ou plusieurs des accessoires suivants.

Brosses à plancher

Brosse MultiSol (AllFloor) (SBD AF)

Cette brosse plate permet de nettoyer sous les meubles très bas. Elle est également silencieuse, légère et se distingue par son excellente capacité d'aspiration des salissures de gros calibre.

Turbobrosse TurboTeQ (STB 305-3)

Idéale pour enlever les peluches et les cheveux des revêtements en tissu.

Brosse à plancher torsadée pour parquet (Parquet Twister) munie d'une tête pivotante (SBB 300-3)

Munie de poils naturels, pour nettoyer les planchers durs lisses et les interstices.

Brosse à plancher torsadée pour parquet (Parquet Twister) XL munie d'une tête pivotante (SBB 400-3)

Munie de poils naturels, pour nettoyer rapidement les revêtements durs lisses et les interstices.

Autres accessoires**Mini-turbobrosse (STB 101)**

Pour nettoyer des meubles rembourrés, des matelas, des sièges de voiture, etc.

Brosse universelle (SUB 20)

Pour nettoyer des livres, des étagères, etc.

Brosse pour radiateur (SHB 30)

Pour épousseter les radiateurs, les étagères étroites et les fentes.

Brosse pour matelas (SMD 10)

Pour nettoyer des meubles rembourrés, des matelas, des coussins, des rideaux, des housses, etc.

Suceur long à interstices, 12 po (300 mm) (SFD 10)

Suceur très long à interstices pour nettoyer les plis, les fentes et les recoins.

Suceur très long à interstices, 22 po (560 mm) (SFD 20)

Suceur long à interstices flexible pour aspirer les endroits difficiles d'accès.

Embout à coussins XL (SPD 20)

Embout à coussins large pour nettoyer des meubles rembourrés, des matelas et des coussins.

Poignée confortable avec dispositif d'éclairage (SGC 20)

Éclaire la zone où vous passez l'aspirateur.

Filtres**Filtre d'évacuation****AirPur Plus (AirClean Plus) 50 (SF-AP 50)**

Filtration efficace pour assainir l'air.

Filtre d'évacuation**Silence AirPur (Silence AirClean) 50 (SF-SA 50)**

Pour une réduction significative du bruit pendant l'aspiration.

Filtre d'évacuation**AirPur Actif (Active AirClean) 50 (SF-AA 50)**

Pour une réduction significative des odeurs désagréables. Idéal pour les ménages avec des animaux domestiques ou des fumeurs.

Filtre d'évacuation**AirPur Actif (Active AirClean) 50 (SF-HA 50)**

Capte efficacement les poussières fines et les allergènes. Idéal pour les personnes allergiques à la poussière domestique.

Grille du filtre

La grille du filtre est requise si vous souhaitez utiliser un filtre d'évacuation AirPur (AirClean) plutôt qu'un filtre AirPur (AirClean), Silence AirPur (Silence AirClean), AirPur Actif (Active AirClean) ou HEPA AirPur (HEPA AirClean).

fr - Garantie restreinte – Aspirateurs Canada

Les conditions de la garantie suivante sont valides au Canada seulement.

Miele limitée, (ci-après nommée « Miele ») garantit à l'acheteur original que ce produit, y compris tous ses accessoires et pièces autorisés par Miele, est libre de tout défaut de matériel et de fabrication.

1. Entrée en vigueur et durée de la garantie

Cette garantie est valide durant la période de temps suivante :

- a) Appareils électroménagers aux fins d'utilisation domestique normale et non commerciale :
 - Un (1) an, pièces et main-d'œuvre.
 - Modules RemoteVision® : veuillez vous reporter à la « Garantie restreinte - Module RemoteVision® - Canada » de Miele.
 - Garantie supplémentaire de 5 et 10 ans sur les systèmes scellés de réfrigération : la garantie sur le système scellé de réfrigération couvre tous les compresseurs, les condensateurs, les évaporateurs et les déshydrateurs-filtres d'origine, ainsi que le fluide frigorigène et les tuyaux de raccordement d'origine.
 - Garantie de cinq (5) ans - Si une plainte concernant un matériau défectueux ou un défaut de fabrication lié au système scellé de réfrigération utilisé dans les réfrigérateurs, les caves à vin et les congélateurs Miele est adressée à Miele dans les cinq (5) ans suivant la date d'achat de l'appareil, les défauts du système scellé de réfrigération couverts par la garantie seront réparés gratuitement (pièces et main-d'œuvre comprises).
 - Garantie de dix (10) ans - Si une plainte concernant les défauts susmentionnés est adressée à Miele à partir de la sixième (6^e) année et jusqu'au dernier jour de la dixième (10^e) année suivant la date d'achat de l'appareil, la garantie couvrira le remplacement ou la réparation de tous les éléments du système scellé de réfrigération présentant un défaut matériel ou un défaut de fabrication couvert par la garantie, excepté les frais de main-d'œuvre. Si le client en fait la demande, Miele se chargera de la réparation ou du remplacement des pièces, mais aux frais du client.
- b) Appareils électroménagers aux fins d'utilisation commerciale :
 - Six (6) mois, pour pièces et main-d'œuvre.
- c) Aspirateurs destinés à une utilisation domestique, non commerciale dans des conditions normales :
 - Un (1) an, pour les aspirateurs verticaux, aspirateurs-balais sans fil et aspirateurs-chariots. Pièces et main d'œuvre.
 - Deux (2) ans, pour le moteur des aspirateurs verticaux S170 - S189. Pièces et main d'œuvre.
 - Deux (2) ans, pour la batterie Varta ou Huizhou Blueway des aspirateurs-balais sans fil. Pièces et main d'œuvre.
 - Sept (7) ans, pour le moteur Vortex™ des aspirateurs-chariots, aspirateurs verticaux et aspirateurs-balais sans fil, excepté pour les modèles d'aspirateurs verticaux S170-S189 dont le moteur est garanti deux (2) ans. Pièces et main d'œuvre.
- d) Aspirateurs aux fins d'utilisation commerciale :
 - Six (6) mois, pour les produits à utilisation commerciale. Pièces et main-d'œuvre.
 - Un (1) an, pour le moteur des aspirateurs verticaux et des aspirateurs-chariots. Pièces et main-d'œuvre.
- e) Appareils commerciaux :
 - Un (1) an, pièces et main d'œuvre dans la zone de service direct Miele.
 - Un (1) an, pièces uniquement en dehors de la zone de service direct Miele.Contactez Miele Professional pour déterminer si vous êtes dans la zone de service direct Miele.
- f) Appareils commerciaux à usage domestique :
 - Deux (2) ans, laveuse Petits géants, sècheuse Petits géants, lave-vaisselle Profi. Pièces et main d'œuvre.

2. Date d'entrée en vigueur

La garantie entre en vigueur à la date de livraison. En cas de remplacement par Miele d'un produit couvert par une garantie, la période de garantie initiale n'est pas prolongée; sa date d'entrée en vigueur correspond à la date de la livraison initiale.

3. Conditions préalables liées à la garantie

- 3.1 Miele assume la responsabilité en vertu de la garantie à la condition que les conditions suivantes aient été respectées :
 - a) vous êtes l'acheteur initial et votre produit ne provient pas d'une revente;
 - b) le produit a été acheté auprès de Miele ou auprès d'un détaillant Miele autorisé au Canada;
 - c) le cas échéant, le produit a été installé par une personne compétente, autorisée par Miele, conformément aux instructions d'installation en vigueur;
 - d) le produit se trouve au Canada.
- 3.2 Les réclamations en vertu de la garantie seront honorées uniquement si la non-conformité aux dispositions de la garantie est signalée par écrit et si le produit est retourné à Miele ou à un détaillant Miele autorisé accompagné d'une preuve de la date d'achat, pendant la période prévue à l'article 1 ci-dessus.

fr - Garantie restreinte – Aspirateurs Canada

4. Étendue de la garantie

En cas de matériaux défectueux ou de défaut de fabrication pendant la période prévue à l'article 1 ci-dessus, Miele réparera ou, à son choix, remplacera dans un délai raisonnable le produit ou toute pièce ou tout accessoire Miele dont la fabrication ou les matériaux sont défectueux. Les produits ou les pièces défectueux deviennent la propriété de Miele lorsqu'ils sont remplacés.

5. Exclusions de la garantie

La garantie ne couvre pas les produits, y compris les pièces et les accessoires de ces produits, qui :

- a) n'ont pas été installés conformément aux instructions d'installation de Miele;
- b) ont été endommagés par négligence, à la suite d'un accident ou d'une utilisation mauvaise, inappropriée ou anormale, ou encore en raison de l'entretien ou du transport inapproprié ou anormal;
- c) contiennent des accessoires ou des pièces de rechange non fabriqués par Miele, y compris les filtres, les sacs à poussière et tout autre produit non fabriqué par Miele;
- d) ont été réparés, entretenus ou modifiés par une personne autre qu'une personne du centre de services ou un technicien autorisé par Miele.

6. Usure normale

L'usure normale ne constitue pas un défaut de fabrication ni un défaut de matériaux.

7. Limitation de responsabilité

7.1 À moins d'acheter une garantie prolongée auprès de Miele avant l'échéance de la présente garantie, celle-ci est la seule garantie que vous offre Miele. Miele se désiste de toute autre garantie maximale permise par la loi, expresse ou implicite, y compris toute garantie de qualité marchande ou d'usage à une fin particulière, à l'exception de la présente garantie.

7.2 Les recours décrits dans le présent document constituent vos seuls recours en vertu de la présente garantie. À moins d'une autre mention, la responsabilité de Miele pour les dommages réels, quelle que soit leur nature, est limitée au montant que vous avez payé pour le produit. Miele se dégage de toute responsabilité, de tout dommage indirect ou de tout autre dommage, qu'il soit attribuable à la violation du contrat, à la responsabilité délictuelle (y compris la négligence), à la responsabilité du fait du produit ou à toute autre théorie juridique. En aucun cas les deux parties ne seront tenues responsables de toute perte de bénéfices ou d'économies, de dommage consécutif ou de tout autre dommage financier.

8. Lois provinciales particulières

La présente garantie accorde à l'acheteur des droits légaux particuliers. L'acheteur peut également exercer d'autres droits qui peuvent varier d'une province à l'autre au Canada. Certaines provinces interdisent la restriction ou l'exclusion des garanties implicites. Par conséquent, il est possible que certaines restrictions et exclusions ne s'appliquent pas.

9. Service à la clientèle

9.1 Pour faire exécuter des travaux d'entretien couverts en vertu de la présente garantie ou pour obtenir de plus amples renseignements, veuillez communiquer avec Miele à l'adresse ou aux numéros suivants :

Miele limitée N° sans frais : 1-800-565-6435
161 Four Valley Drive Adresse électronique : customercare@miele.ca
Vaughan (Ontario)
Canada L4K 4V8

9.2 Si des travaux d'entretien sont nécessaires, l'appareil devra peut-être être déplacé par une personne autorisée par Miele et emporté à un centre de services Miele autorisé. Si vous demandez un entretien et que vous habitez une région éloignée, tel qu'il a été déterminé par Miele, à sa seule discrétion, à l'occasion, vous devrez, selon le choix de Miele, assumer certains frais :

- a) soit les frais de déplacement qu'engage Miele pour se présenter à votre lieu de résidence;
- b) soit les frais de déplacement et d'envoi de l'appareil, de votre lieu de résidence au centre de services Miele autorisé le plus près.

Miele limitée

Siège social au Canada et Centre Miele

161 Four Valley Drive
Vaughan, ON L4K 4V8
miele.ca
customercare@miele.ca
professional@miele.ca (questions commerciales)

Service à la clientèle

Téléphone : 1-800-565-6435
customercare@miele.ca (questions générales et service technique)

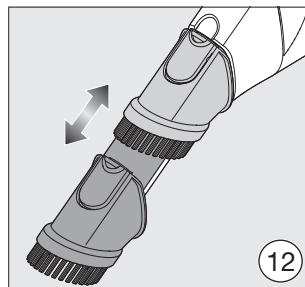
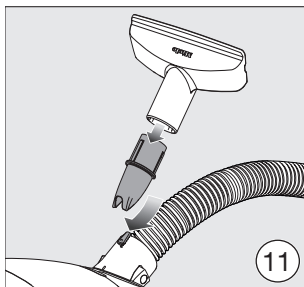
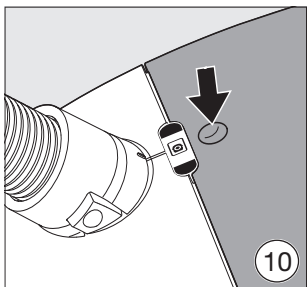
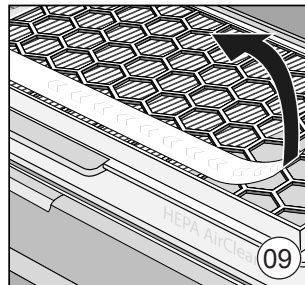
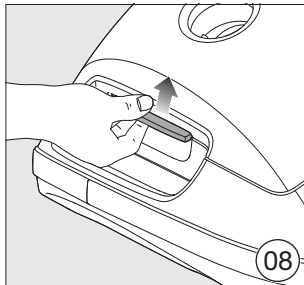
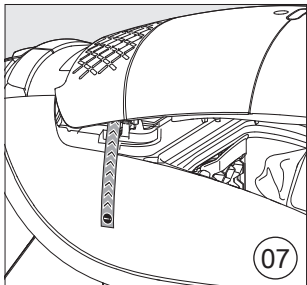
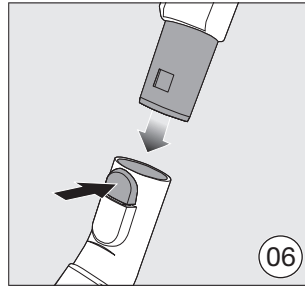
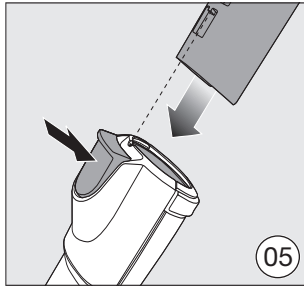
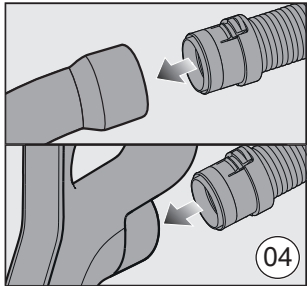
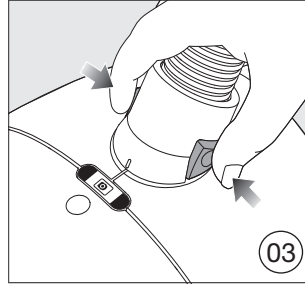
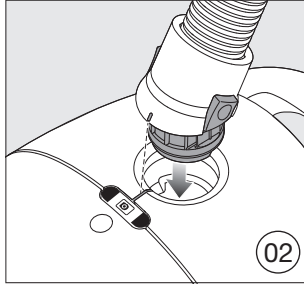
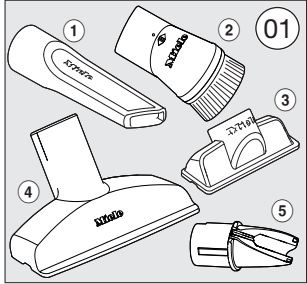
Veillez indiquer le modèle et le numéro de série de votre appareil lorsque vous contactez le service à la clientèle.

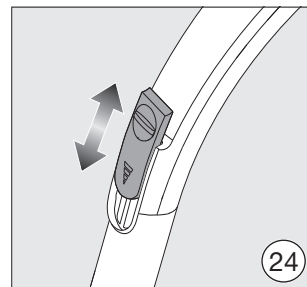
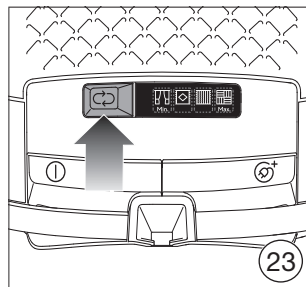
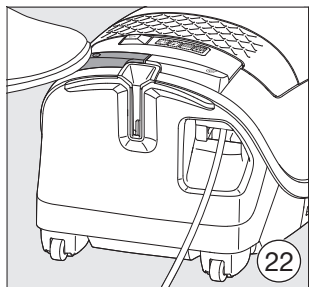
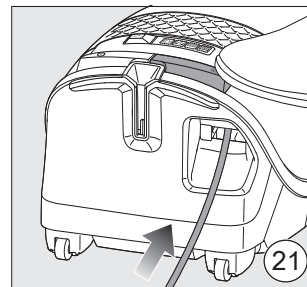
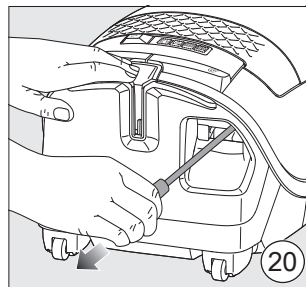
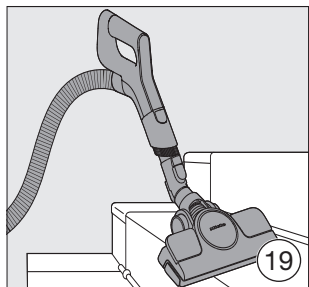
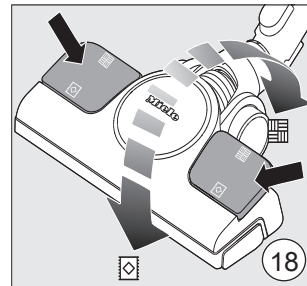
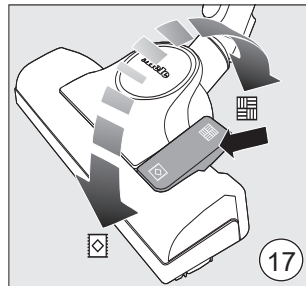
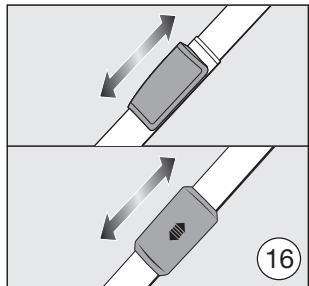
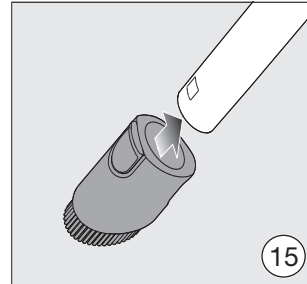
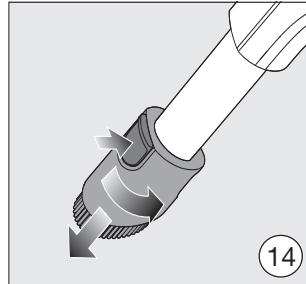
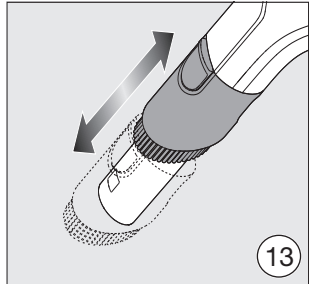
**Canada
Importateur
Miele limitée**

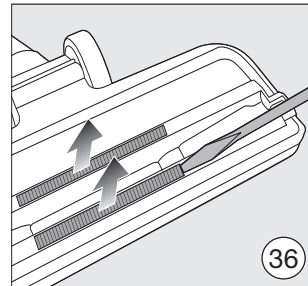
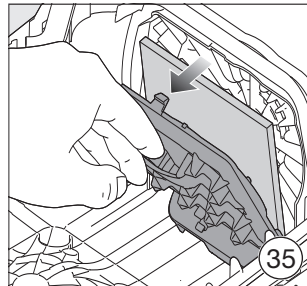
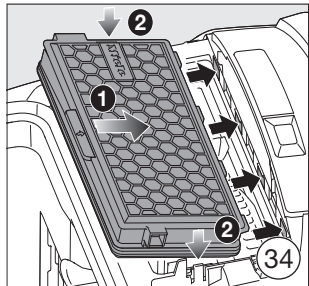
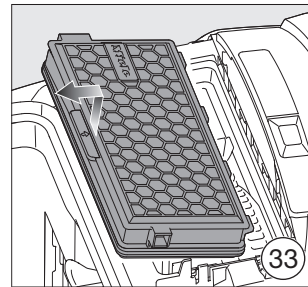
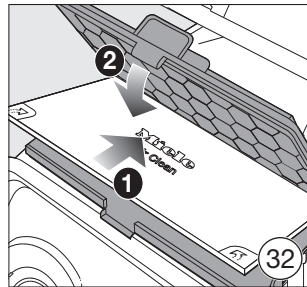
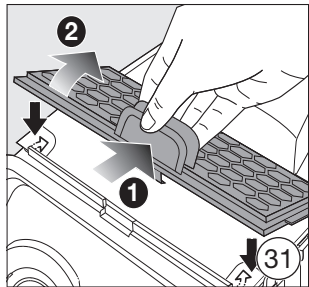
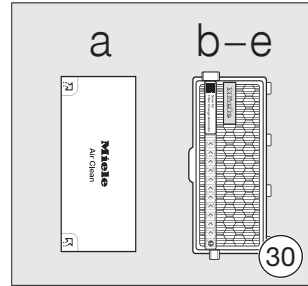
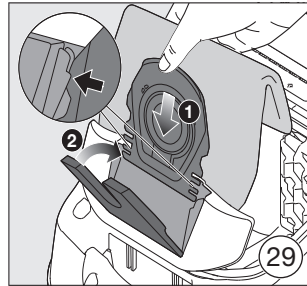
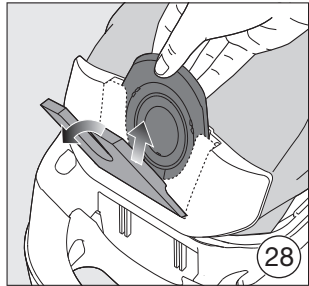
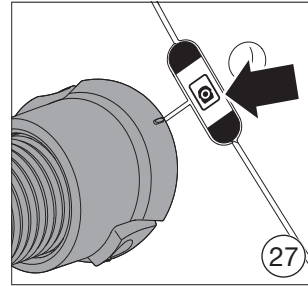
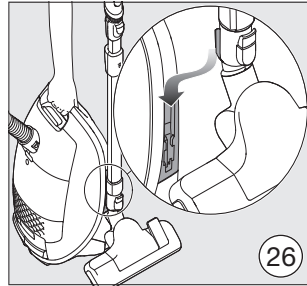
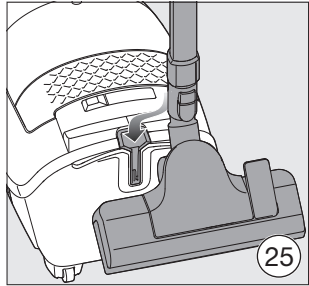
Siège social au Canada et Centre Miele
161 Four Valley Drive
Vaughan, ON L4K 4V8
www.miele.ca

Service à la clientèle
Téléphone : 1-800-565-6435
customercare@miele.ca

**Allemagne
Fabricant**
Miele & Cie. KG
Carl-Miele-Straße 29
33332 Gütersloh









Please have the model and serial number
of your appliance available when
contacting Customer Service.

U.S.A.

Miele, Inc.

National Headquarters

9 Independence Way
Princeton, NJ 08540
www.mieleusa.com

Customer Support

Phone: 888-99-MIELE (64353)
info@mieleusa.com

Canada

**Importer
Miele Limited**

Headquarters and Miele Centre

161 Four Valley Drive
Vaughan, ON L4K 4V8
www.miele.ca

Customer Care Centre

Phone: 1-800-565-6435
905-532-2272
customercare@miele.ca

International Headquarters

Miele & Cie. KG
Carl-Miele-Straße 29
33332 Gütersloh
Germany